

SOME OF OUR PROMINENT DEVELOPMENTS

AUTOMOTIVE COMPONENTS

PRECISION ENGG COMPONENTS

MEDICAL DEVICE COMPONENTS

ELECTRICAL COMPONENTS

SHEET METAL COMPONENTS

TEXTILE M/C COMPONENTS



Anil Plastics



PLATE DIAPHRAGM
 PART SIZE – Ø34.0 x 10.0mm

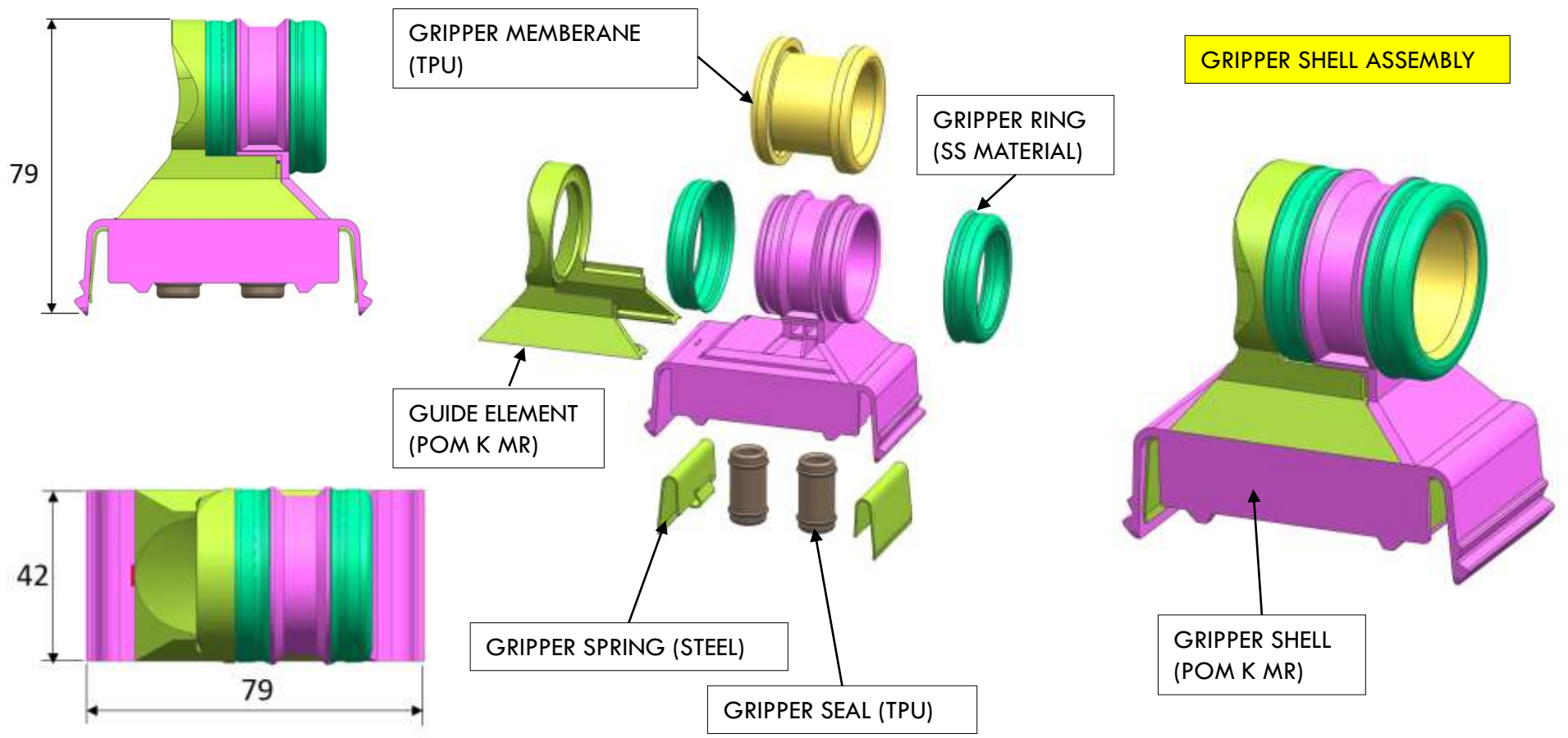
RESRVOIR BODY, CAP &
 DIAPHRAGM ASSEMBLY



RESERVOIR BODY
 PART SIZE – 58.0 x 62.0 x 40.0mm

RESERVOIR CAP
 PART SIZE – 42.0 x 17.0mm

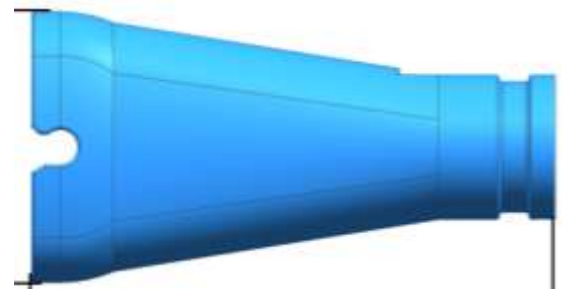
DESCRIPTION	APPLICATION	PART MATERIAL & COLOR
RESERVOIR BODY	AUTOMOTIVE BRAKING APPLICATION	PPCP - CLEAR
RESERVOIR CAP	AUTOMOTIVE BRAKING APPLICATION	PPCP (BLACK)
PLATE DIAPHRAGM	AUTOMOTIVE BRAKING APPLICATION	PPCP (NATURAL)



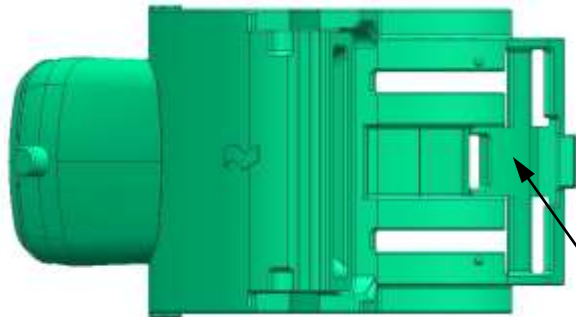
DESCRIPTION	APPLICATION	PART MATERIAL & COLOR
GRIPPER SHELL ASSEMBLY	TEXTILE M/C COMPONENT	MENTIONED ABOVE



Anil Plastics



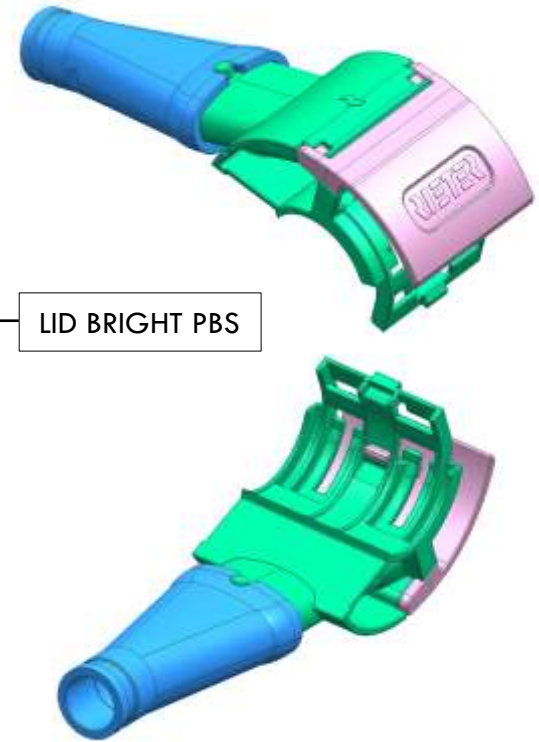
CONNECTION PIECE BRIGHT



HOUSING BRIGHT PBS



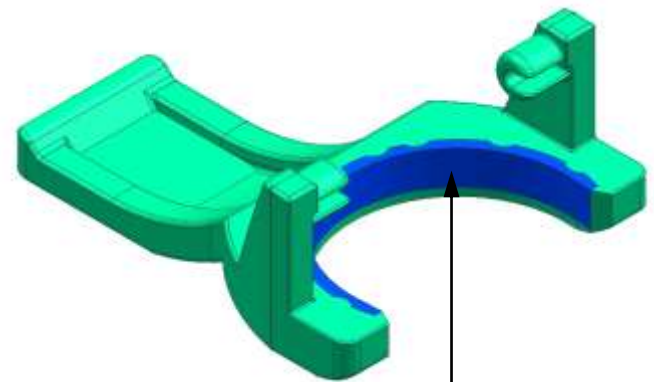
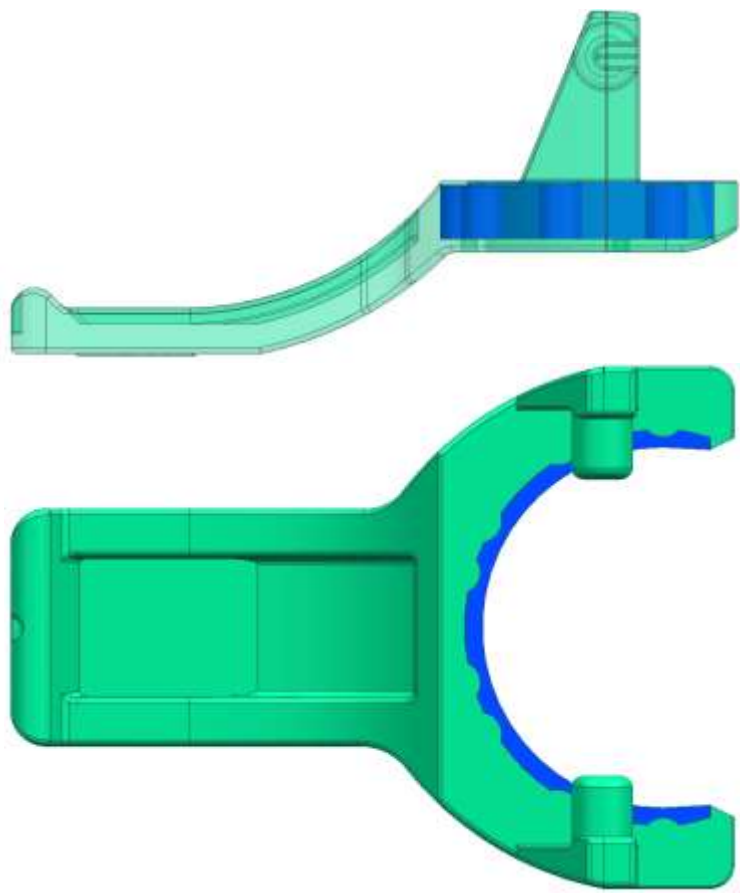
LID BRIGHT PBS



DESCRIPTION	APPLICATION	PART MATERIAL & COLOR
CONNECTION PIECE BRIGHT	TEXTILE M/C COMPONENT	POM H MR (BLACK)
LID BRIGHT PBS	TEXTILE M/C COMPONENT	PA 12 MACM ,MRN (NATURAL)
HOUSING BRIGHT	TEXTILE M/C COMPONENT	POM K MR (BLACK)



Anil Plastics



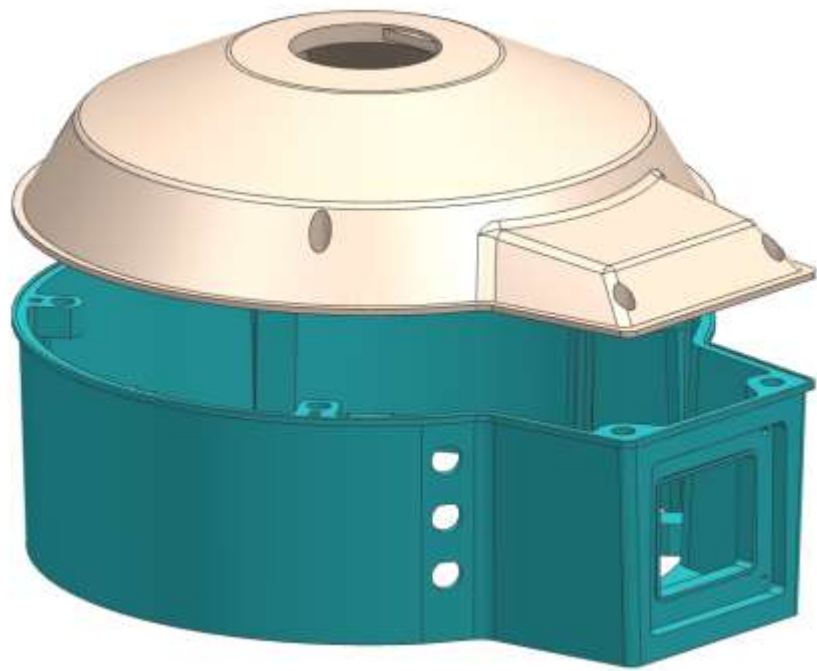
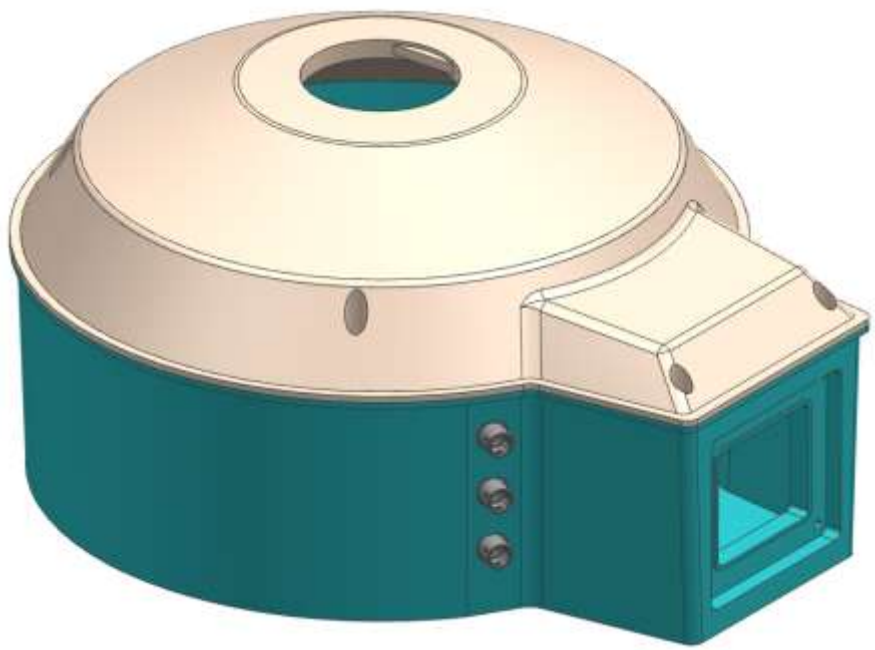
CERAMIC OVERMOULD

PART SIZE : 61 x 44 x 29 mm

DESCRIPTION	APPLICATION	PART MATERIAL & COLOR
SPINDLE BRAKE / LINING	TEXTILE M/C COMPONENT	PA6 GF20& (GRAY) & CERAMIC EP10000 (WHITE)



E1 ELECTRONIC HOUSING & TOP COVER

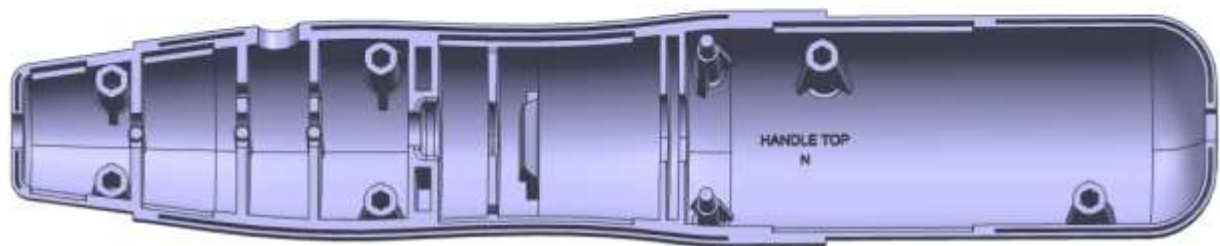
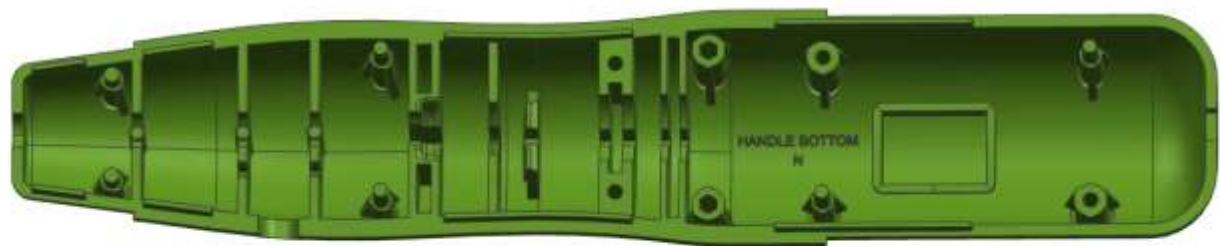
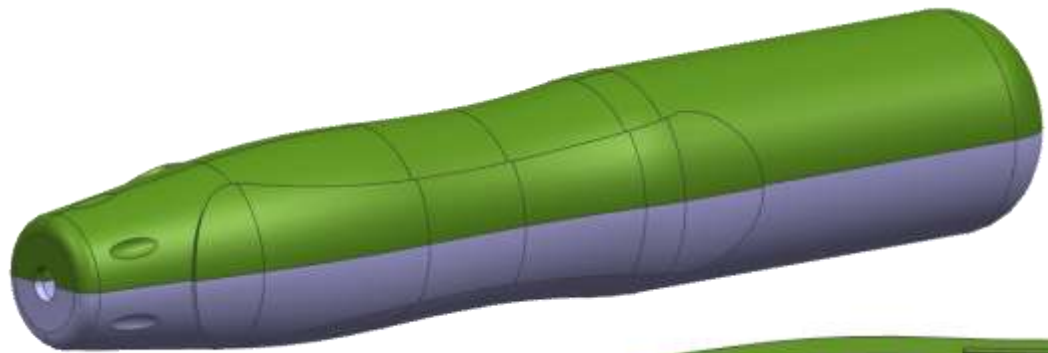


PART SIZE : 385 x 325 x 185 mm

DESCRIPTION	APPLICATION	PART MATERIAL & COLOR
E1 ELECTRONIC HOUSING	HOUSING OF STEAM PRESSURE REDUCING VALVE	PC 20% GF (GRAY)
E1 ELECTRONIC TOP COVER	HOUSING OF STEAM PRESSURE REDUCING VALVE	PC 20% GF (GRAY)

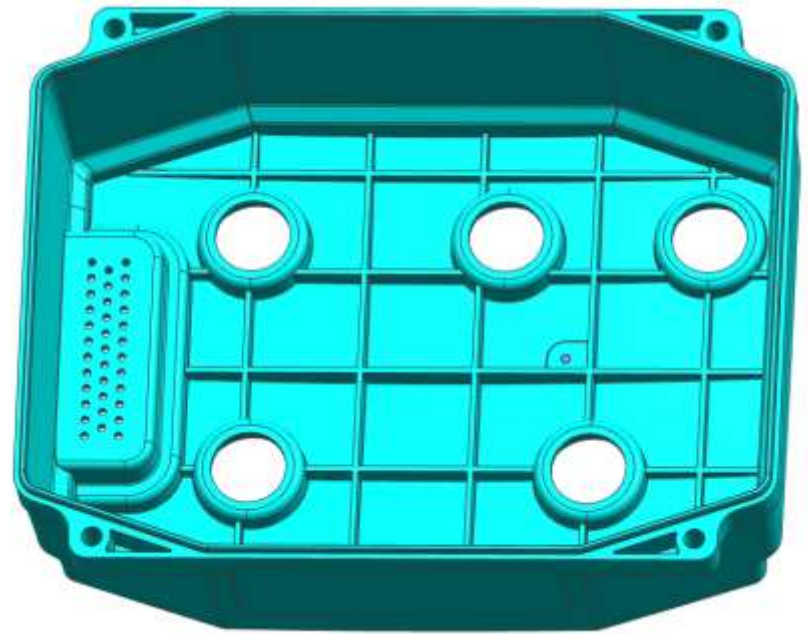
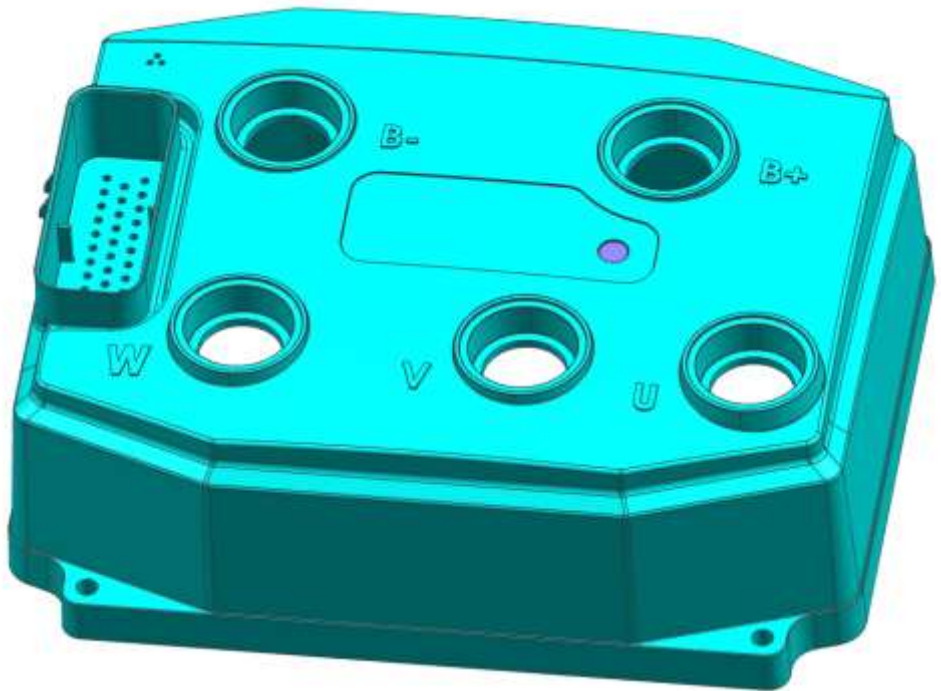


Anil Plastics



PART SIZE : 180 x 36 x 36 mm

DESCRIPTION	APPLICATION	PART MATERIAL & COLOR
HANDLE TOP & BOTTOM	MEDICAL DEVICE	ABS (WHITE)

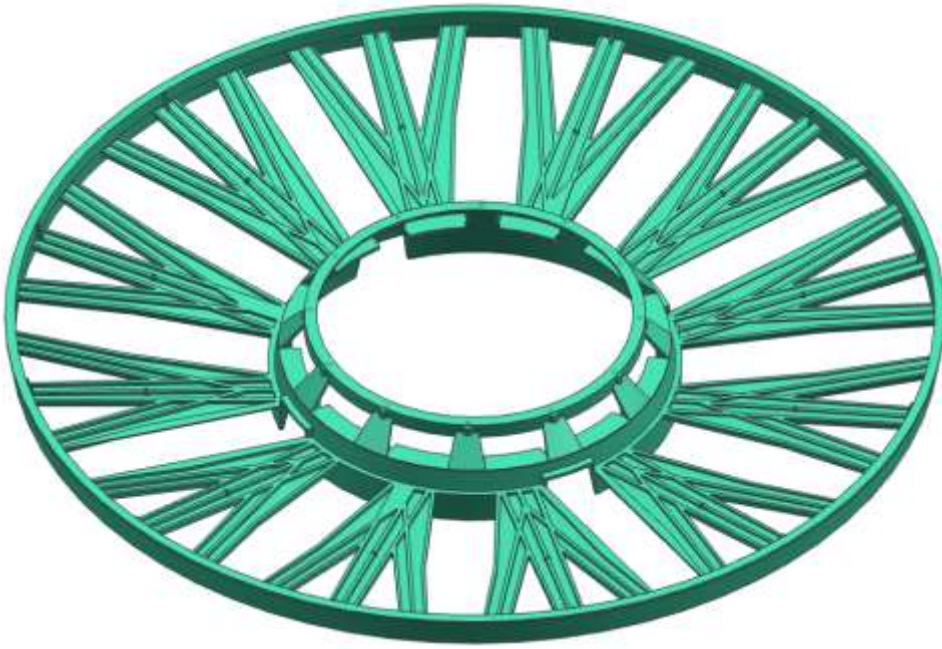
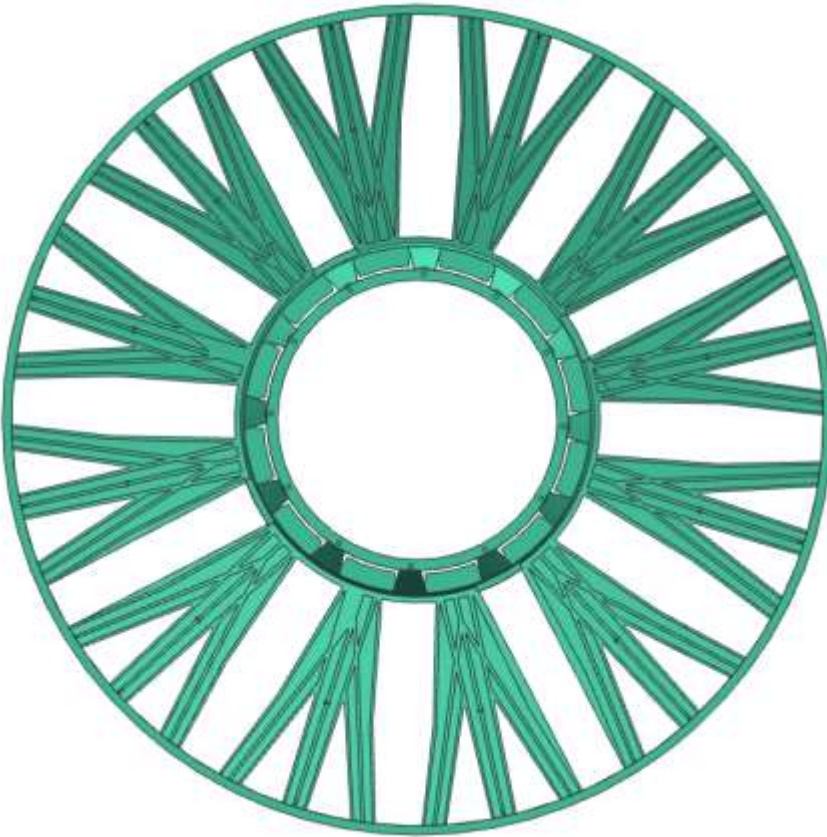


PART SIZE : 180 x 140 x 64 mm

DESCRIPTION	APPLICATION	PART MATERIAL & COLOR
COVER	ELECTRICAL	PBT (BLACK)



Anil Plastics

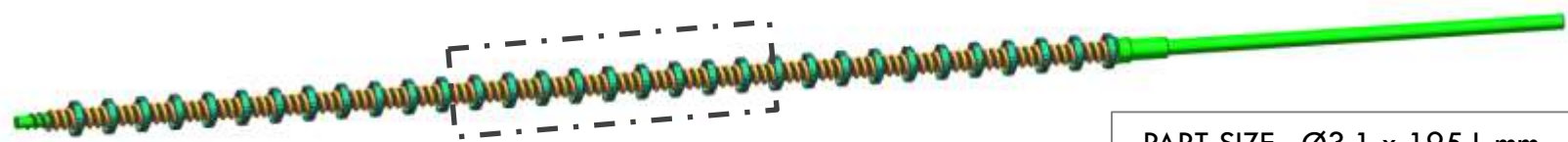


PART SIZE : Ø682 x 69 L mm

DESCRIPTION	APPLICATION	PART MATERIAL & COLOR
BEAD SEPERATOR	TYRE MANUFACTURING PROCESS	ABS 15% GF (GRAY)

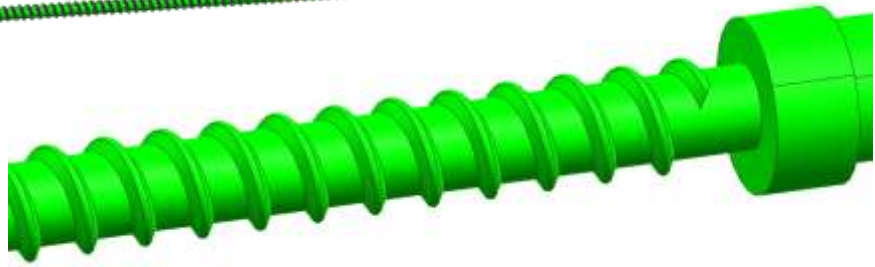
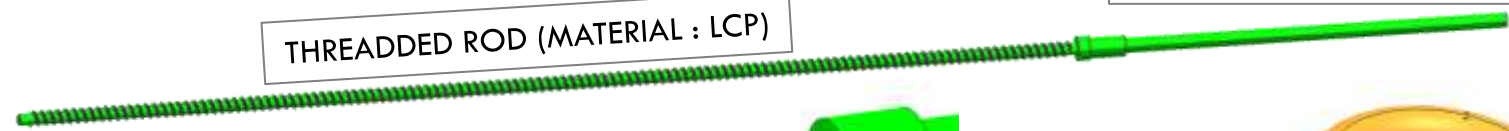


Anil Plastics



THREADED ROD (MATERIAL : LCP)

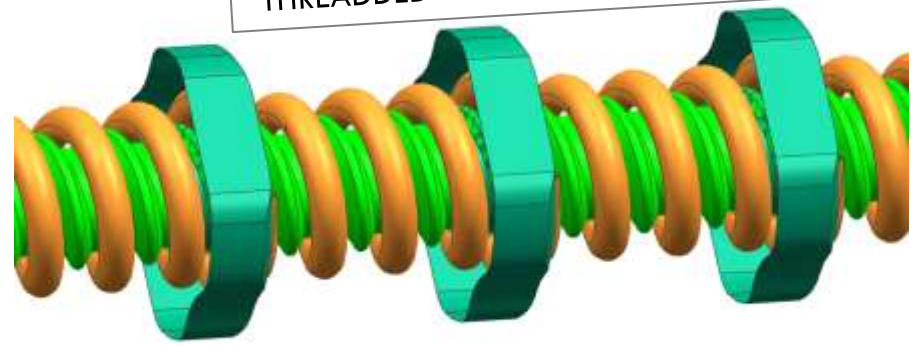
PART SIZE : Ø3.1 x 195 L mm



THREADED ROD WITH TACK HEAD



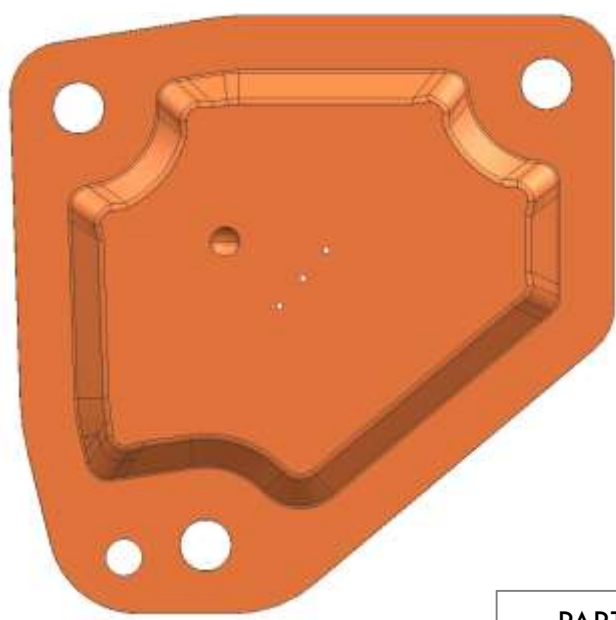
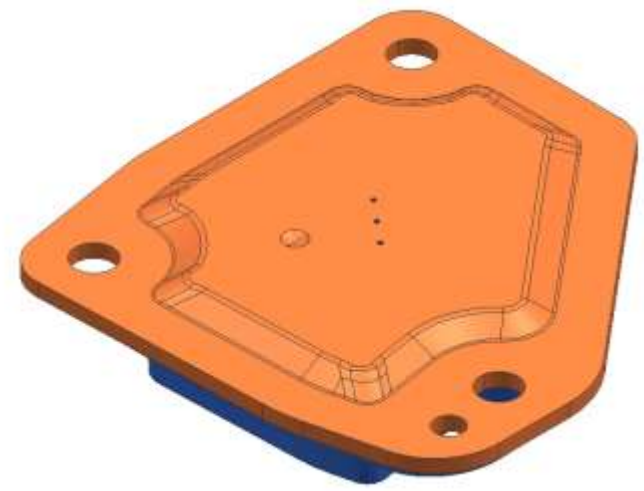
TACK HEAD (MATERIAL : PEEK)
 SPRING INSERT MOULDING)
 PART SIZE: 4 x 4 x 4 mm



DESCRIPTION	APPLICATION	PART MATERIAL & COLOR
THREADED ROD WITH TACK HEAD	MEDICAL DEVICE	PEEK 450GL30(GRAY) LCP (WHITE)



Anil Plastics

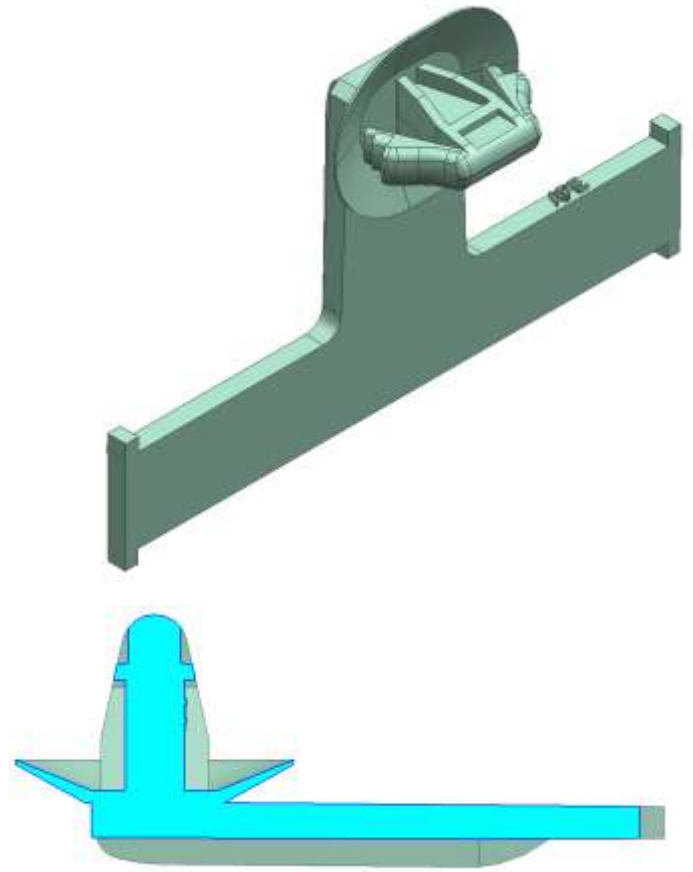
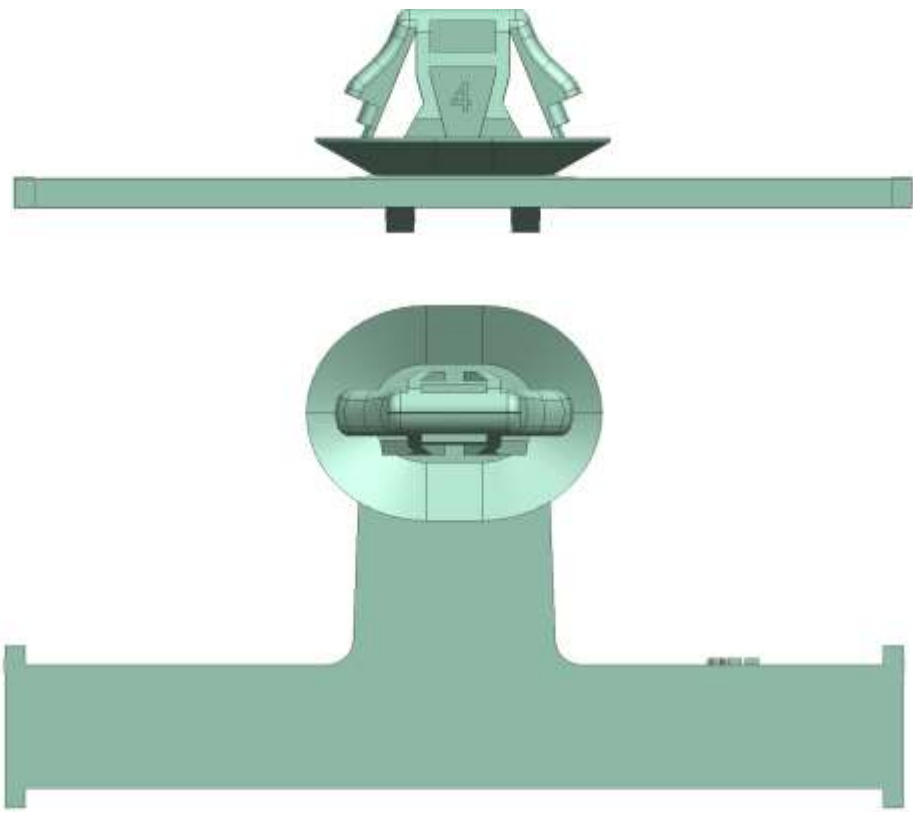


PART SIZE : 50 x 49 x 10 mm

DESCRIPTION	APPLICATION	PART MATERIAL & COLOR
PLATE DIAPHRAGM	AUTOMOTIVE BRAKING APPLICATION	PA6 (NATURAL)



Anil Plastics

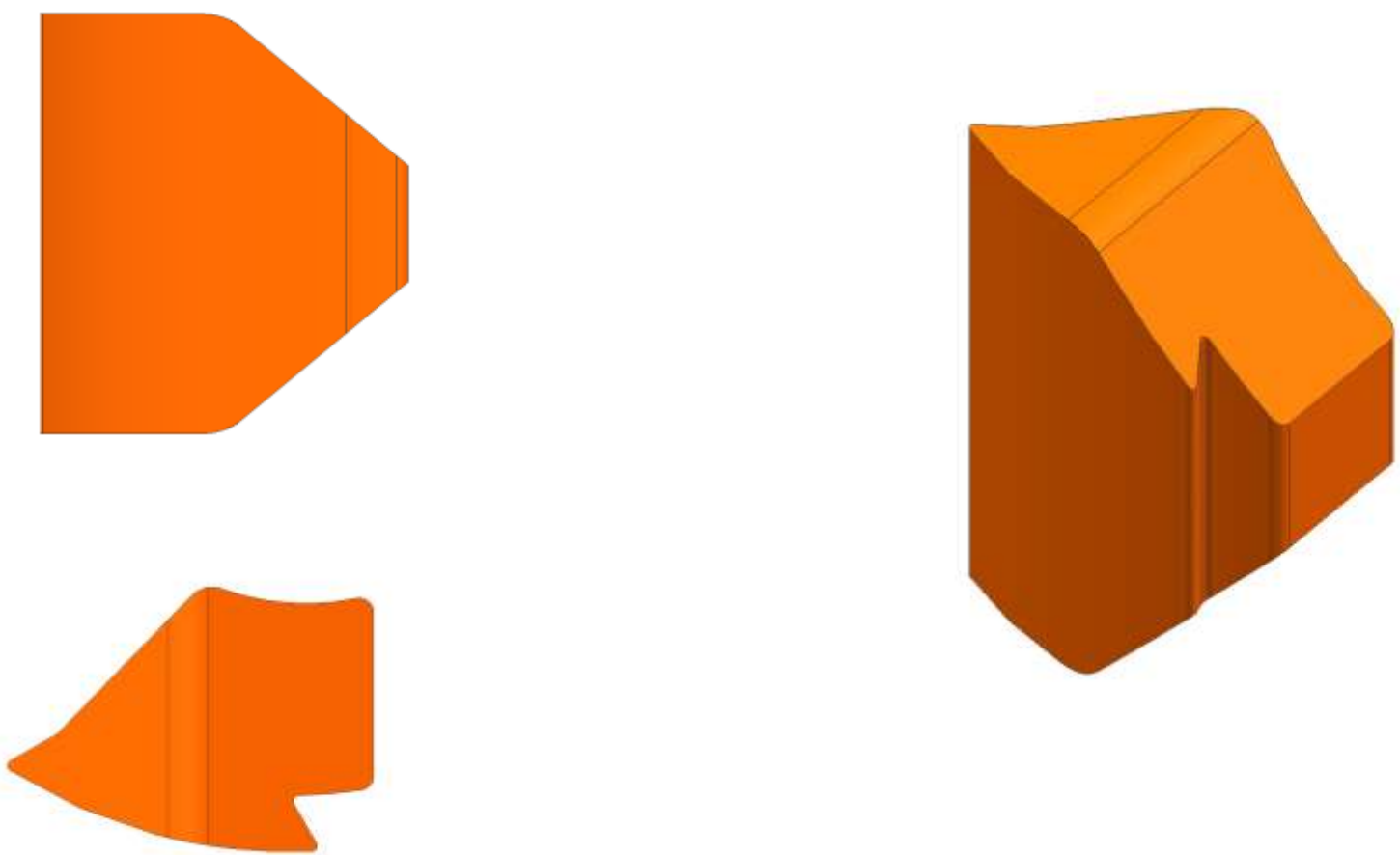


PART SIZE : 40 x 64 x 16 mm

DESCRIPTION	APPLICATION	PART MATERIAL & COLOR
PP CLIP	AUTOMOTIVE WIRE HARNESSING	PP (BLACK)



Anil Plastics

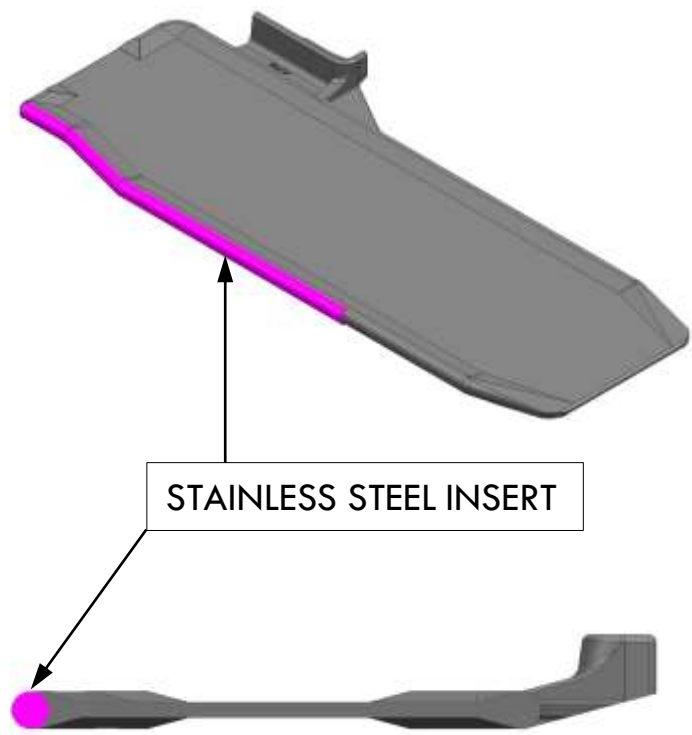
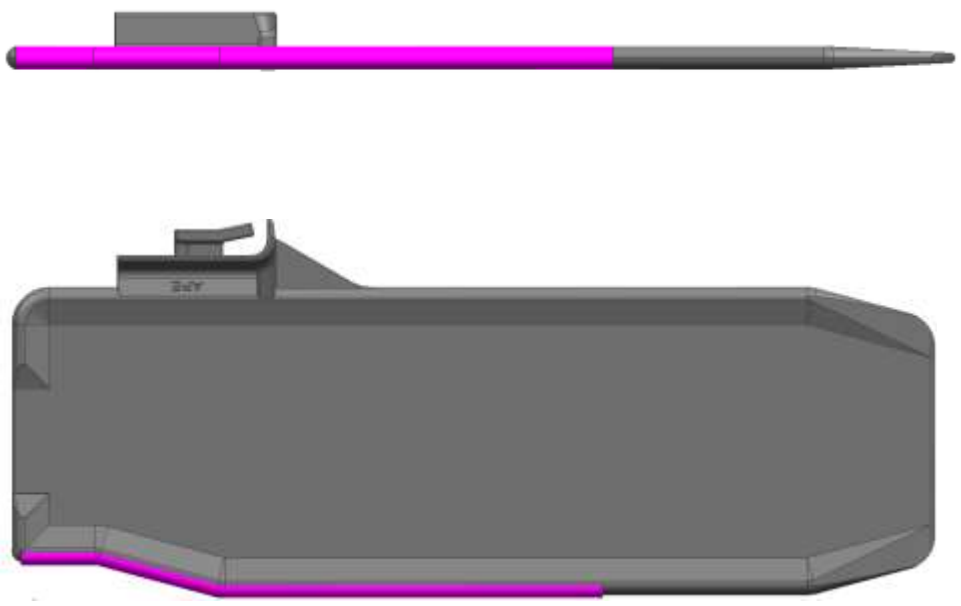


PART SIZE : 18 x 14 x 9.5 mm

DESCRIPTION	APPLICATION	PART MATERIAL & COLOR
SMALL BRAKE PLATE	TEXTILE M/C COMPONENT	CERAMIC (WHITE)



Anil Plastics



PART SIZE : 210 x 86 x 20 mm

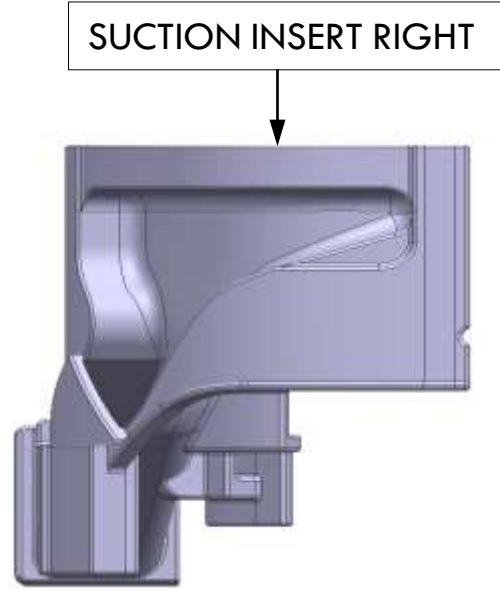
DESCRIPTION	APPLICATION	PART MATERIAL & COLOR
SEPERATOR RE-INFORCEMENT	TEXTILE M/C COMPONENT	ABS / SS (GRAY)



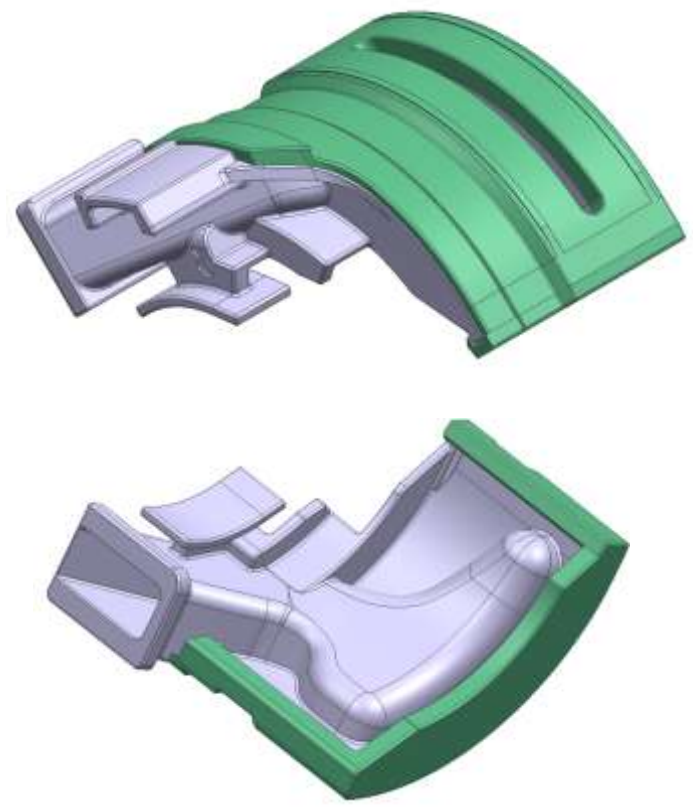
Anil Plastics



LID RIGHT



SUCTION INSERT RIGHT



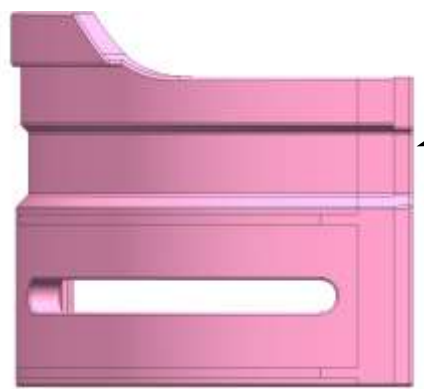
LID RIGHT PART SIZE : 29 x 32 x 25 mm

SUCTION INSERT PART SIZE : 41 x 30 x 25 mm

DESCRIPTION	APPLICATION	PART MATERIAL & COLOR
LID RIGHT	TEXTILE M/C COMPONENT	PA 12 MACM ,MRN (TRANSULANT)
SUCTION INSERT RIGHT	TEXTILE M/C COMPONENT	PA 12 MACM ,MRN (NATURAL)

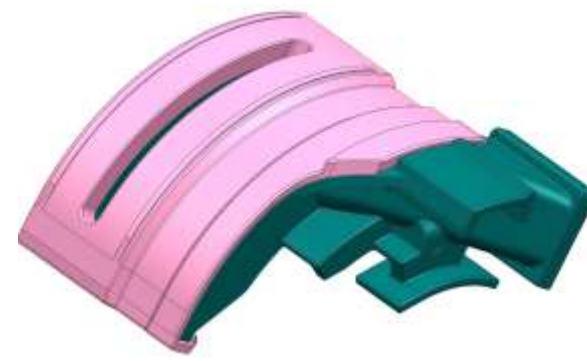
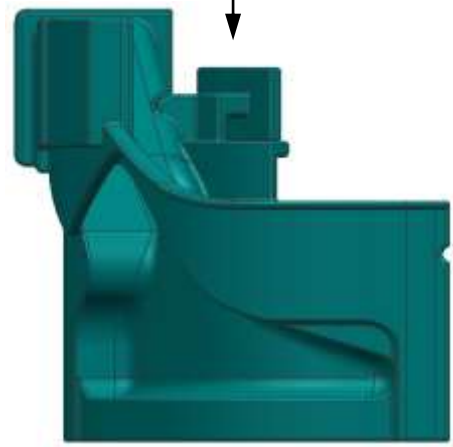


Anil Plastics



LID LEFT

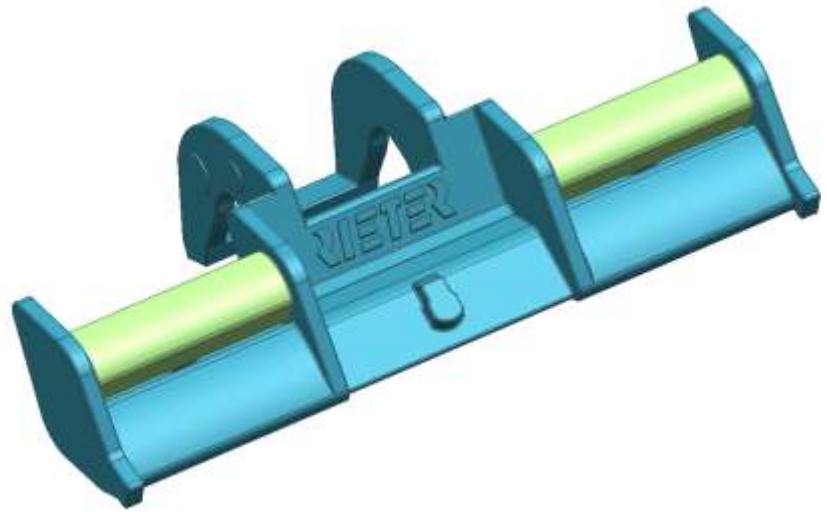
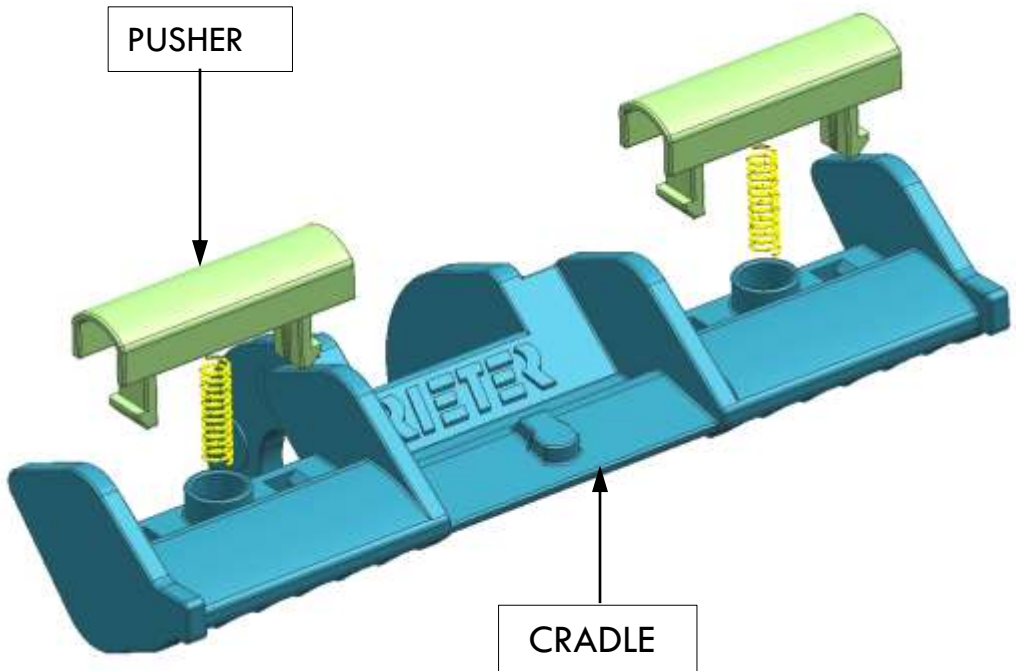
SUCTION INSERT LEFT



LID LEFT PART SIZE : 29 x 32 x 25 mm

SUCTION INSERT PART SIZE : 41 x 30 x 25 mm

DESCRIPTION	APPLICATION	PART MATERIAL & COLOR
LID LEFT	TEXTILE M/C COMPONENT	PA 12 MACM ,MRN (TRANSULANT)
SUCTION INSERT LEFT	TEXTILE M/C COMPONENT	PA 12 MACM ,MRN (NATURAL)



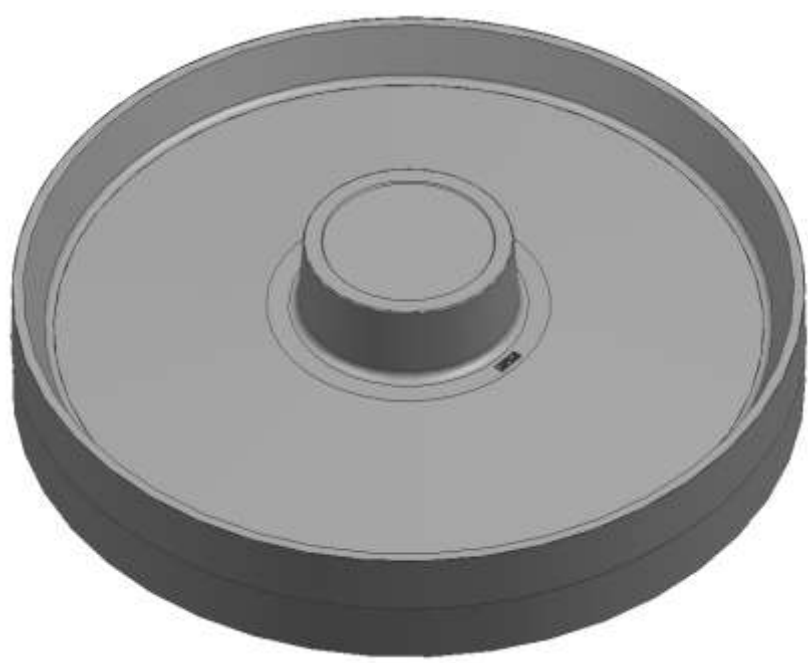
CRADLE

CRADLE & PUSHER ASSEMBLY

CRADLE PART SIZE – 105 x 38 x 54 mm

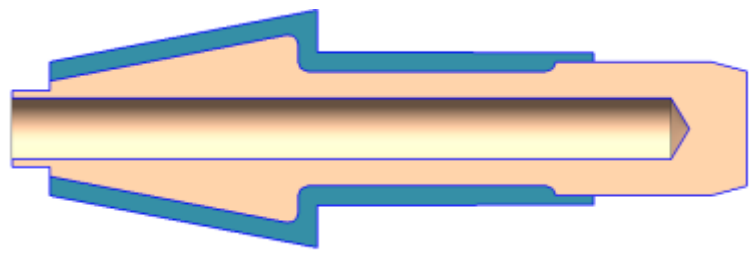
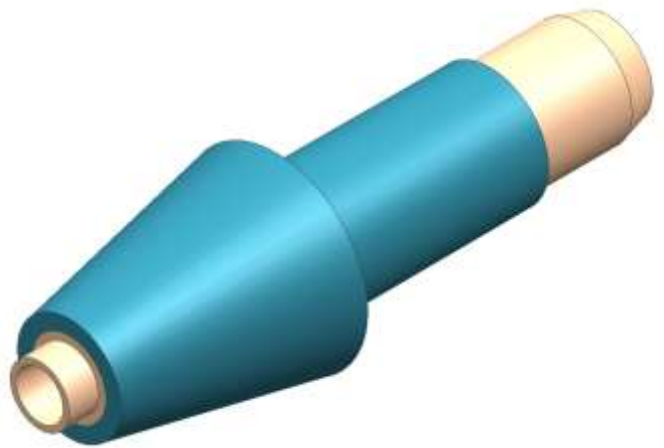
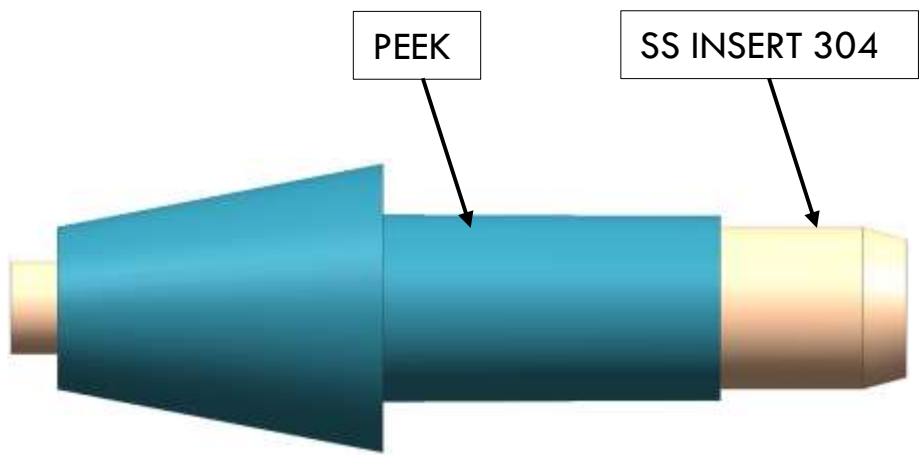
PUSHER PART SIZE – 30.0 x 14.0 x 9.0mm

DESCRIPTION	APPLICATION	PART MATERIAL & COLOR
CRADLE 36mm T70	TEXTILE M/C COMPONENT	PBT GK30 (BLACK)
PUSHER	TEXTILE M/C COMPONENT	POM -H,E (BLACK)



PART SIZE : Ø252 x 48 mm

DESCRIPTION	APPLICATION	PART MATERIAL & COLOR
DRIVE PULLY	TEXTILE M/C COMPONENT	ABS GF15% (BLACK)

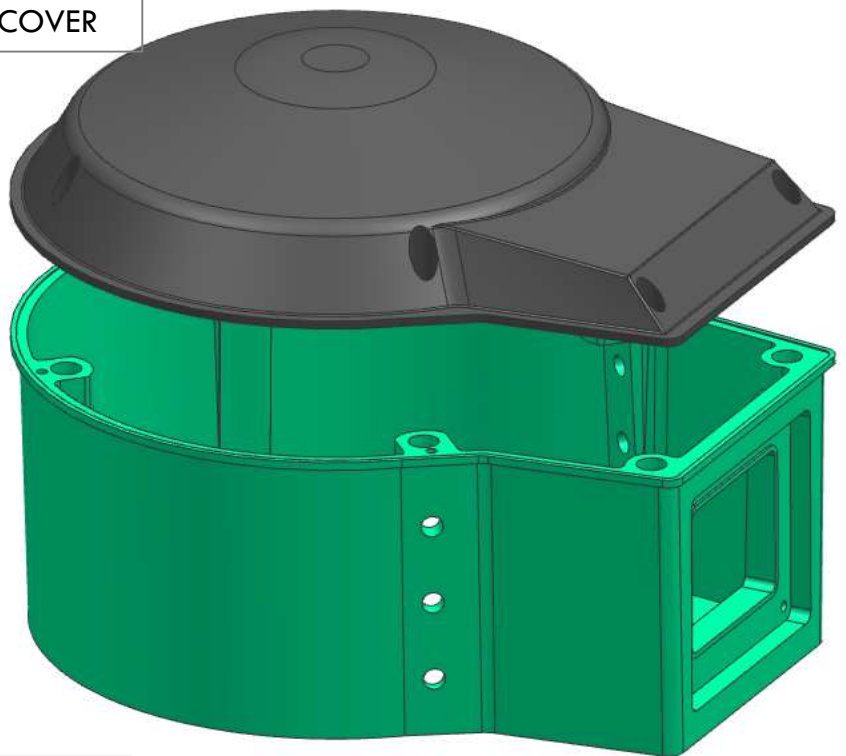
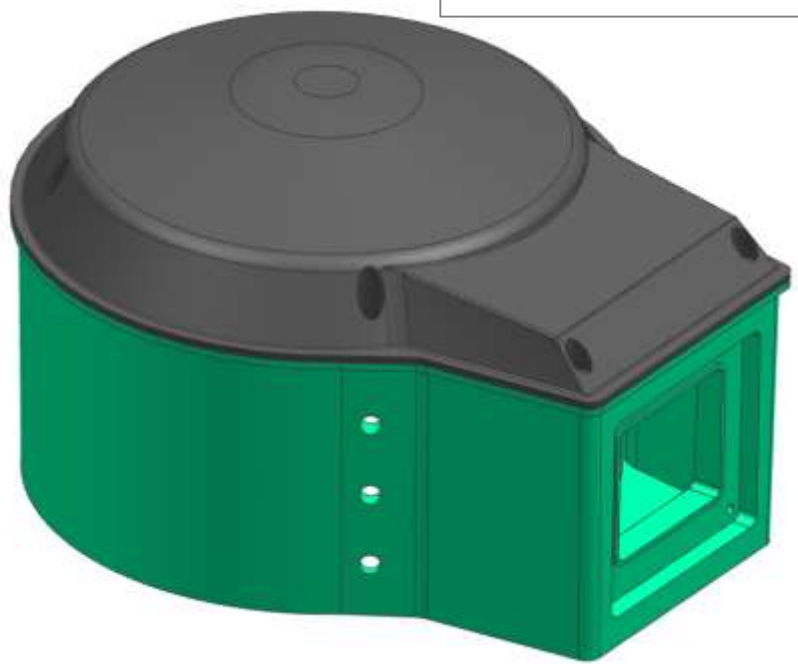


PART SIZE : Ø13 x 29 mm

DESCRIPTION	APPLICATION	PART MATERIAL & COLOR
SENSOR PIN	PRESSURE REDUCING VALVE – ENGG. COMPONENT	PEEK Gr. 450-GL30



EO ELECTRONIC HOUSING & TOP COVER

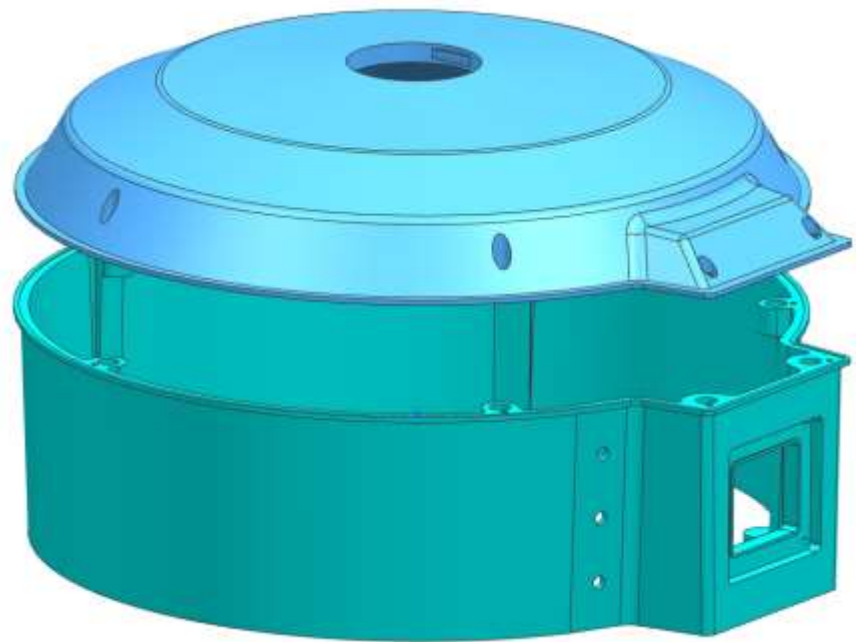
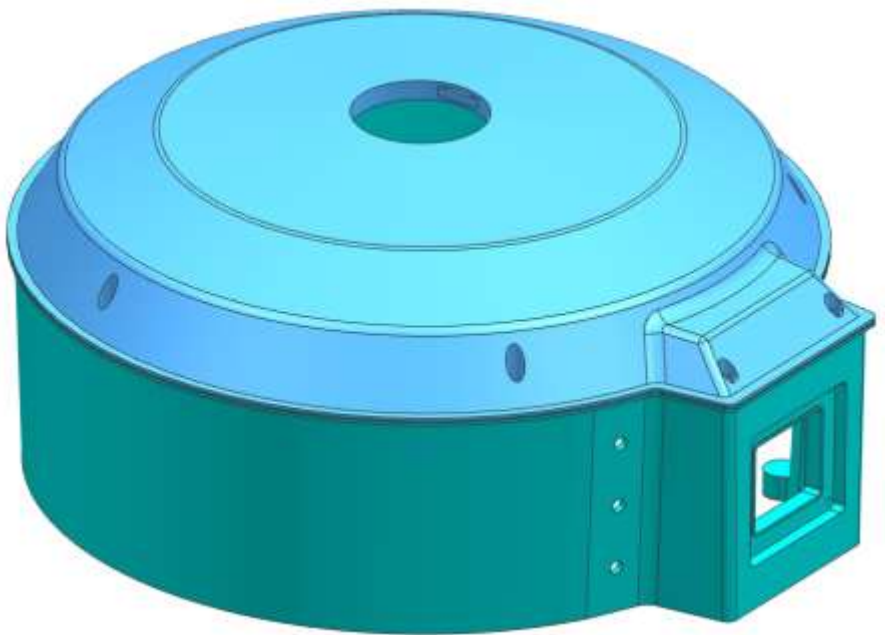


PART SIZE : 284 x 232 x 110 mm

DESCRIPTION	APPLICATION	PART MATERIAL & COLOR
EO ELECTRONIC HOUSING	HOUSING OF STEAM PRESSURE REDUCING VALVE	PC 20% GF (GRAY)
EO ELECTRONIC TOP COVER	HOUSING OF STEAM PRESSURE REDUCING VALVE	PC 20% GF (GRAY)



E2 ELECTRONIC HOUSING & TOP COVER

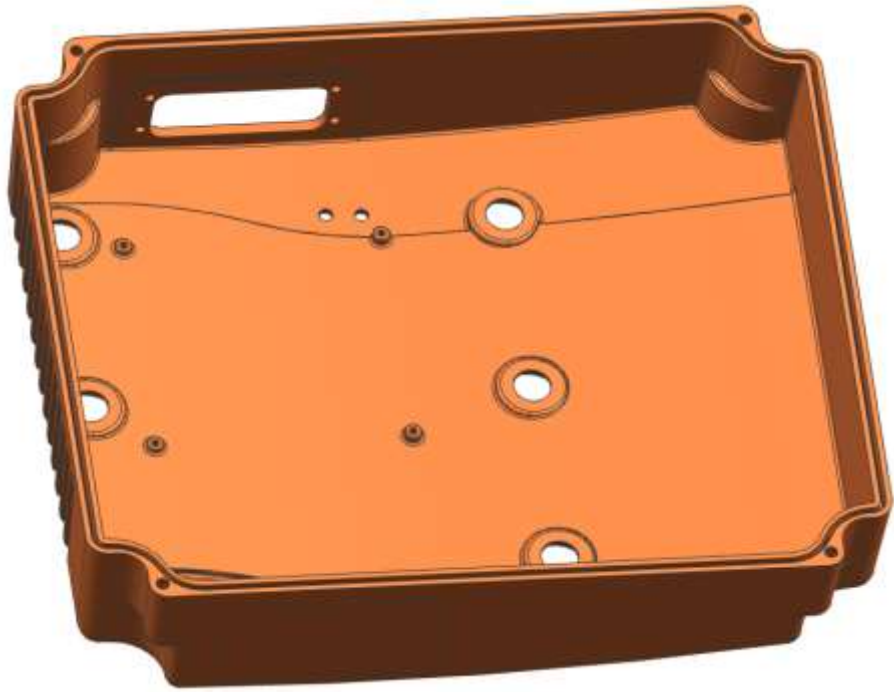
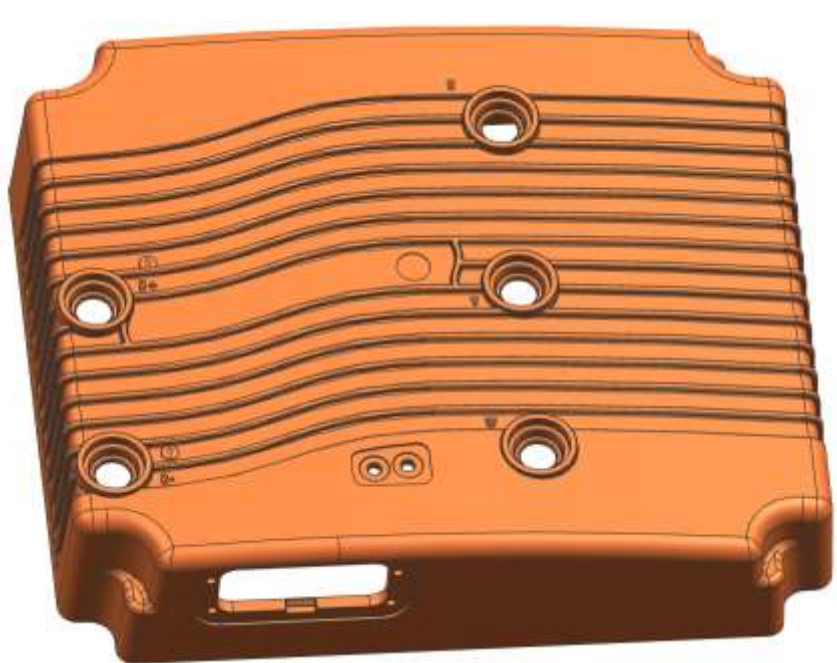


PART SIZE : 503 x 470 x 220 mm

DESCRIPTION	APPLICATION	PART MATERIAL & COLOR
E2 ELECTRONIC HOUSING	HOUSING OF STEAM PRESSURE REDUCING VALVE	PC 20% GF (GRAY)
E2 ELECTRONIC TOP COVER	HOUSING OF STEAM PRESSURE REDUCING VALVE	PC 20% GF (GRAY)



Anil Plastics

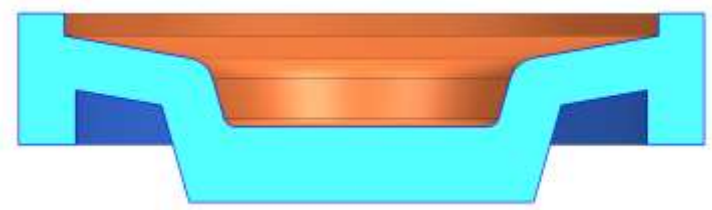
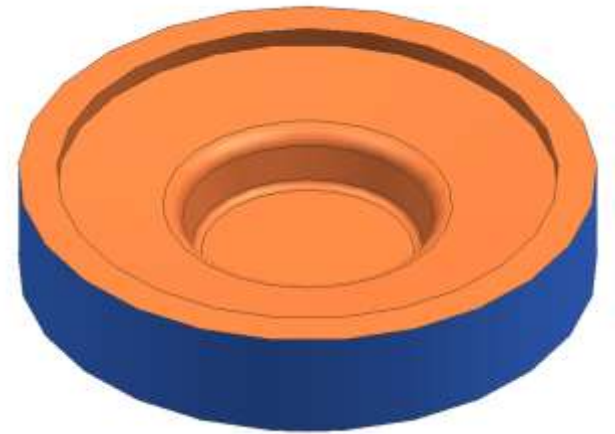


PART SIZE : 275 x 232 x 61 mm

DESCRIPTION	APPLICATION	PART MATERIAL & COLOR
COVER	ELECTRICAL	PBT (BLACK)



Anil Plastics

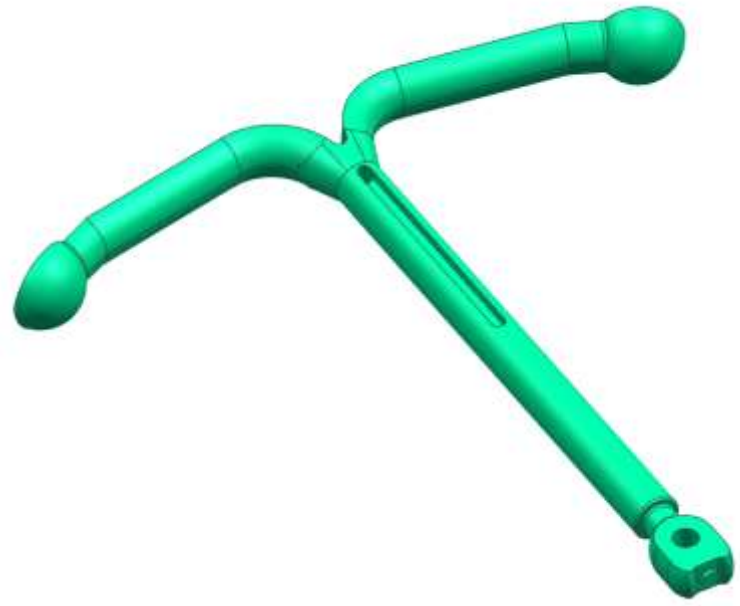


PART SIZE : Ø6 x 1.7 mm

DESCRIPTION	APPLICATION	PART MATERIAL & COLOR
SPACER	TRANSMISSION (INDUSTRIAL BEARING)	RILSAN BMNO TLD (BLACK)



Anil Plastics

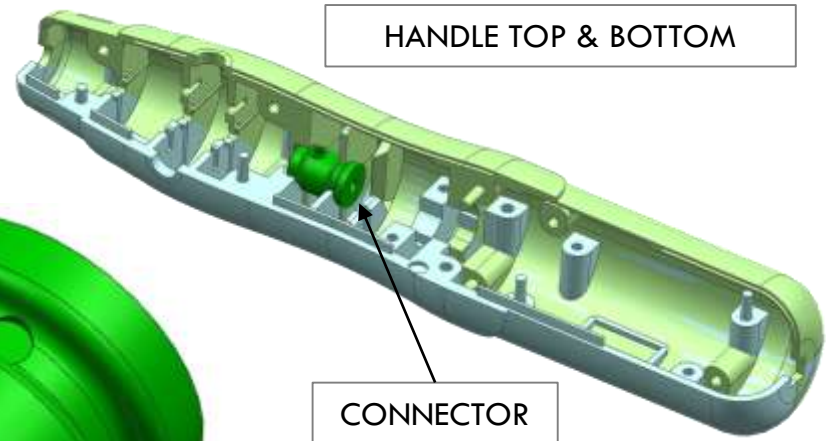


PART SIZE : 29.0 x 28.5 x 2.5 mm

DESCRIPTION	APPLICATION	PART MATERIAL & COLOR
MINI CU380 FRAME	MEDICAL IMPLANTS	PEEK Gr. 450-GL30 (NATURAL)



Anil Plastics



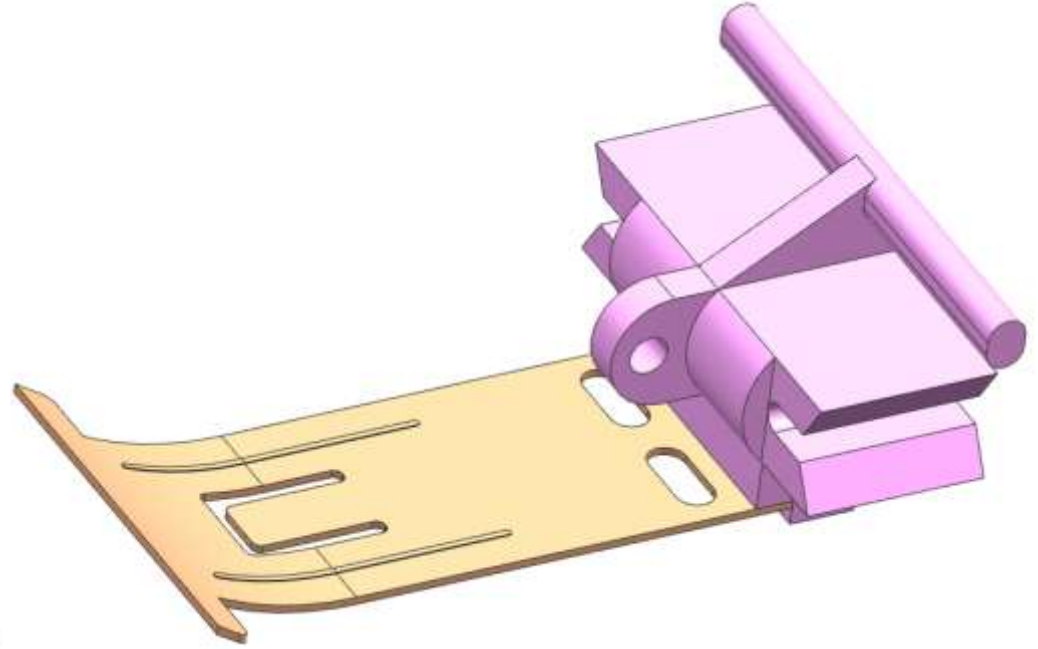
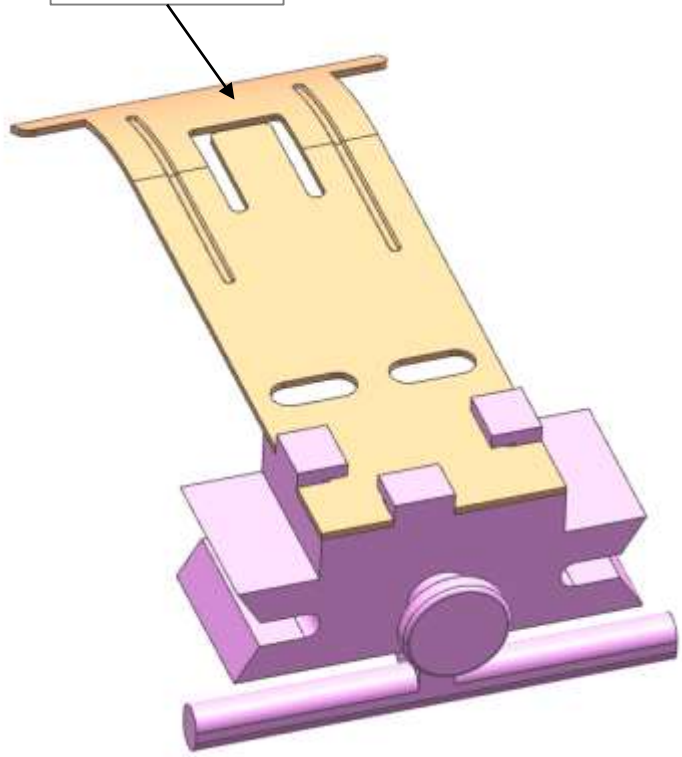
PART SIZE : 9.7 x 9.5 x 14 mm

DESCRIPTION	APPLICATION	PART MATERIAL & COLOR
HANDLE CONNECTOR	MEDICAL DEVICE	ABS (WHITE)



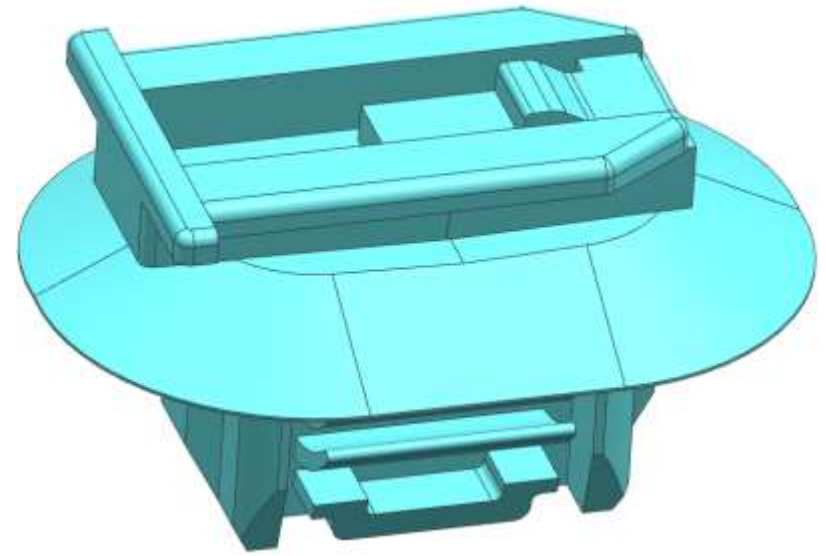
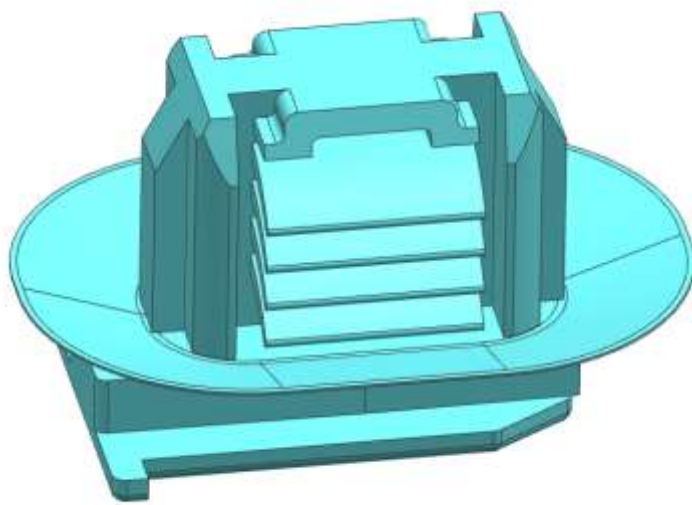
INSERT MOULDING

STEEL INSERT



PART SIZE : 32 x 20 x 11 mm

DESCRIPTION	APPLICATION	PART MATERIAL & COLOR
FIRING BLOCK	MEDICAL DEVICE	PC (BLACK)

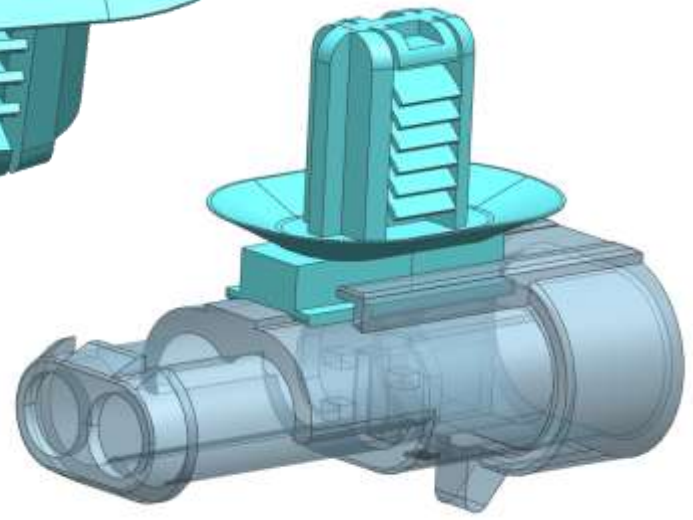
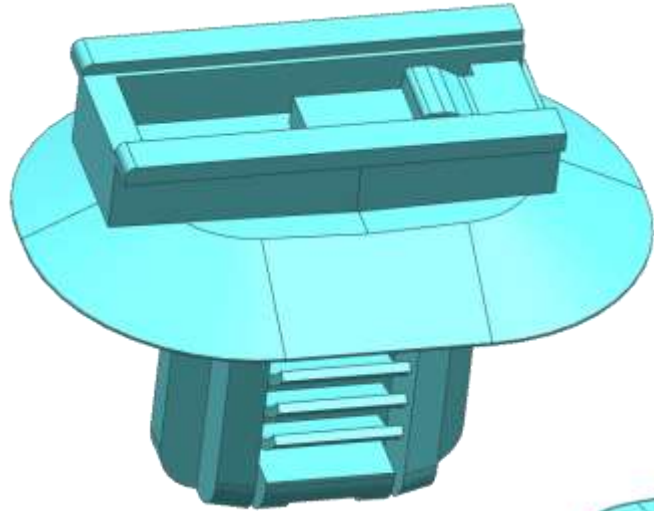
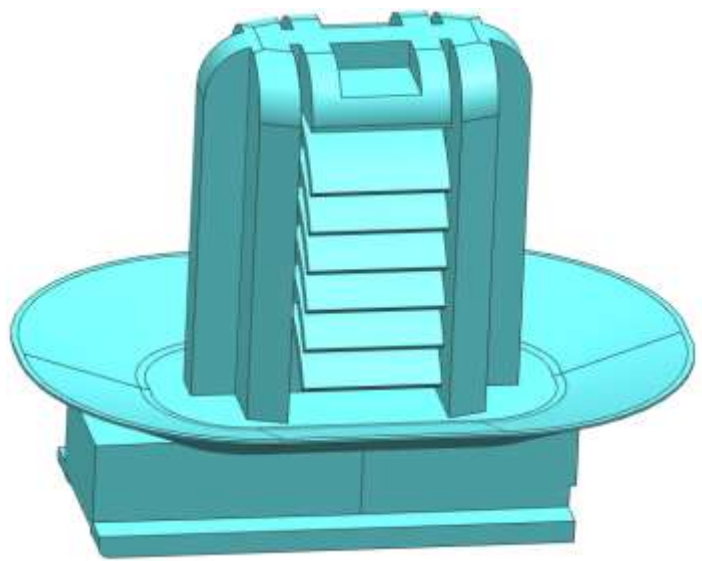


PANEL SIZE : 8 X 15 mm

DESCRIPTION	APPLICATION	PART MATERIAL & COLOR
8 x 15 MOUNTING CLIP	AUTOMOTIVE WIRE HARNESSING	PA 6 (BLACK)



Anil Plastics



PANEL SIZE : 7 X 12 mm

DESCRIPTION	APPLICATION	PART MATERIAL & COLOR
7 x 12 SUPER SEAL CLIP	AUTOMOTIVE WIRE HARNESSING	PA 6 (BLACK)

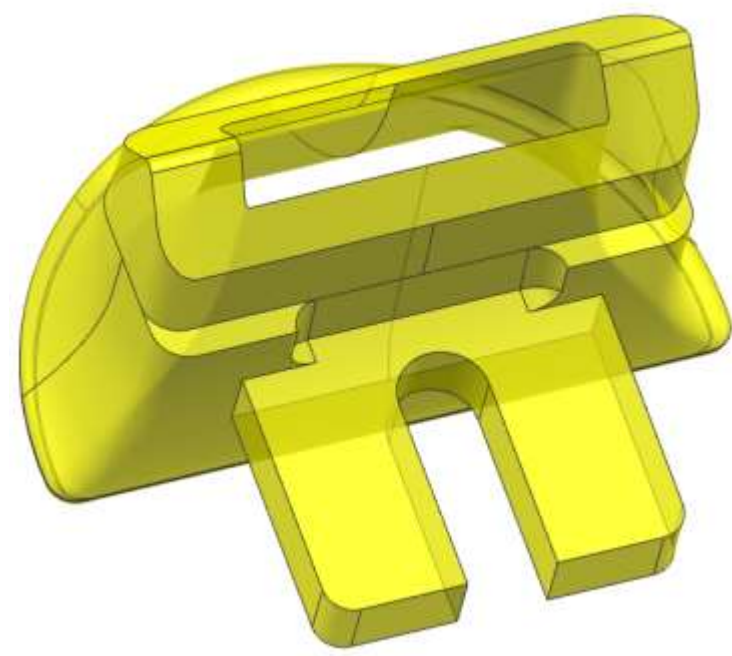


Anil Plastics



PART SIZE : 33 x 24 x 12 mm

DESCRIPTION	APPLICATION	PART MATERIAL & COLOR
CABLE CLAMP	HOSE CLAMPING (AUTOMOTIVE)	PA 66 (BLACK)



PART SIZE : 38 x 36 x 25 mm

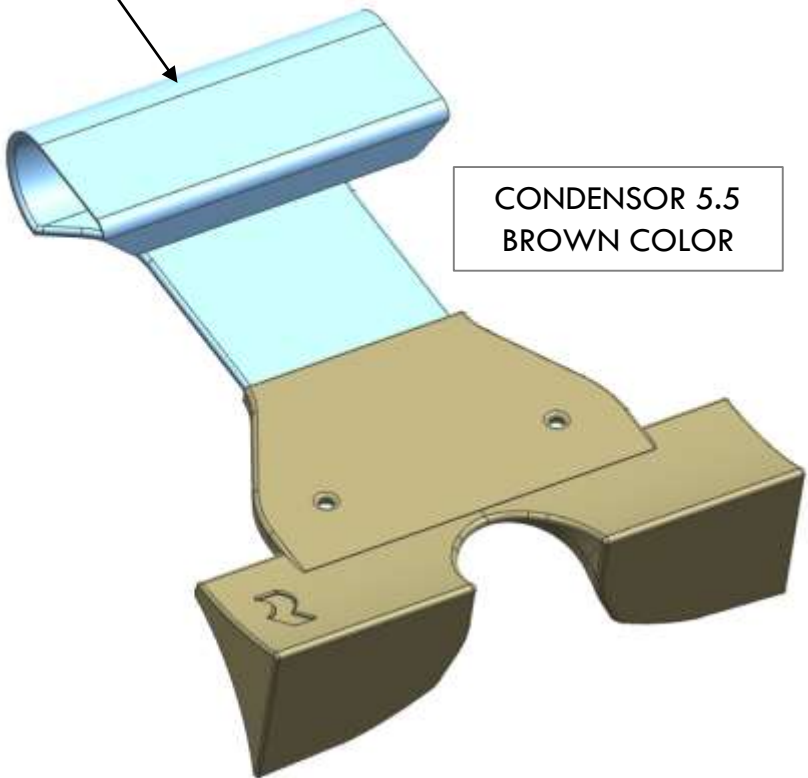
DESCRIPTION	APPLICATION	PART MATERIAL & COLOR
YELLOW CONDENSOR	TEXTILE M/C COMPONENT	CELLIDOR GELB (TRANSPARENT)



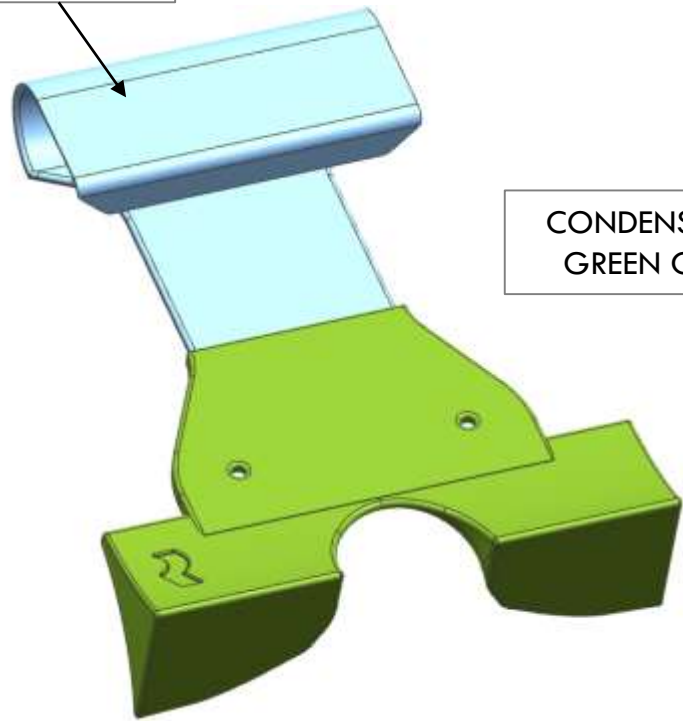
INSERT MOULDING

STEEL INSERT

STEEL INSERT



CONDENSOR 5.5
BROWN COLOR



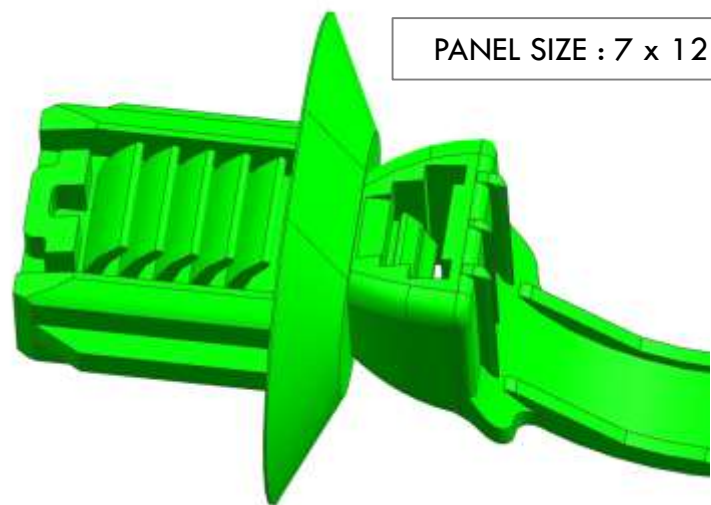
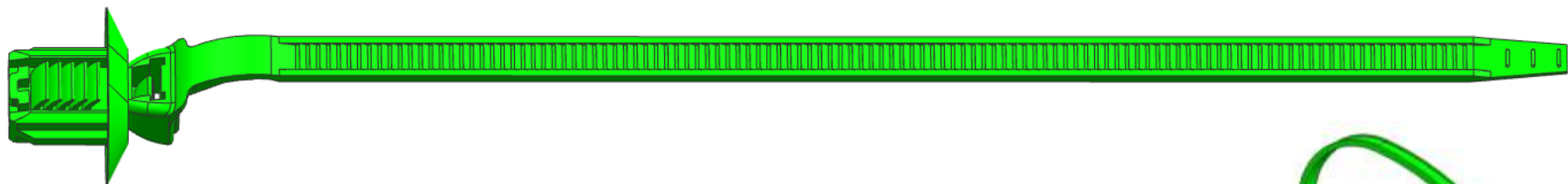
CONDENSOR 6.5
GREEN COLOR

PART SIZE : 29 x 23 x 10 mm / EACH

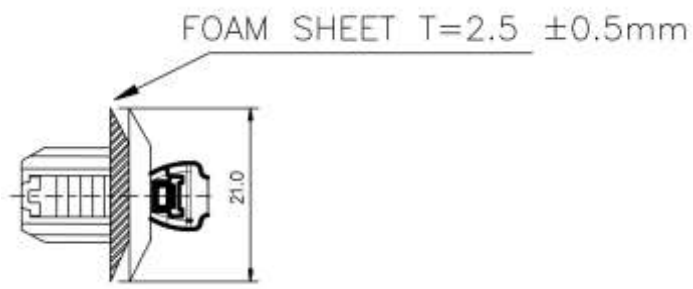
DESCRIPTION	APPLICATION	PART MATERIAL & COLOR
CONDENSOR 5.5 CONDENSOR 6.5	TEXTILE M/C COMPONENT	PA 66 GB 50 (BROWN & GREEN)



Anil Plastics

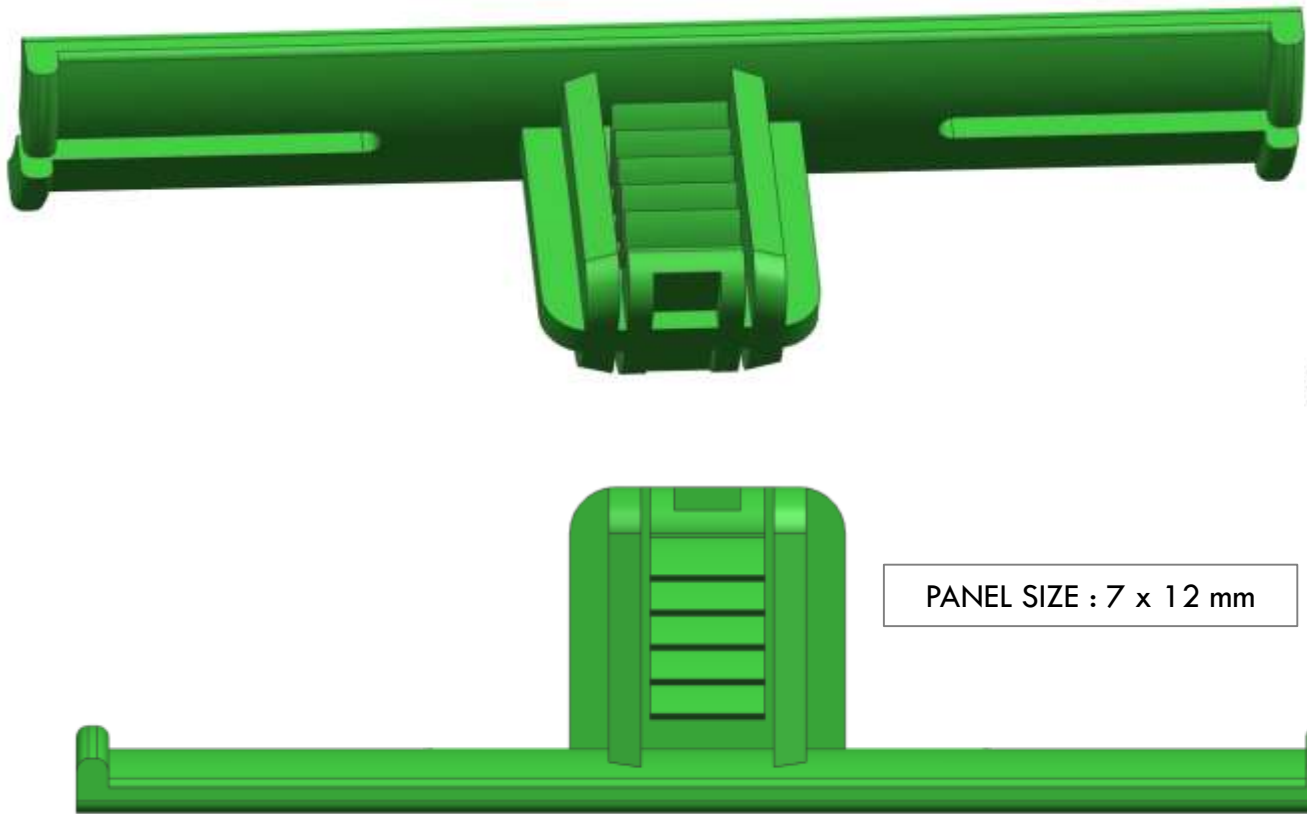


PANEL SIZE : 7 x 12 mm

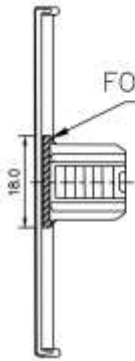


PART SIZE : 180 x 21 x 18 mm

DESCRIPTION	APPLICATION	PART MATERIAL & COLOR
222 CLIP (7 x12 FURR CLIP) APE-149	AUTOMOTIVE WIRE HARNESSING	PA 66 (BLACK)



PANEL SIZE : 7 x 12 mm



FOAM SHEET T=2.5 ±0.5mm

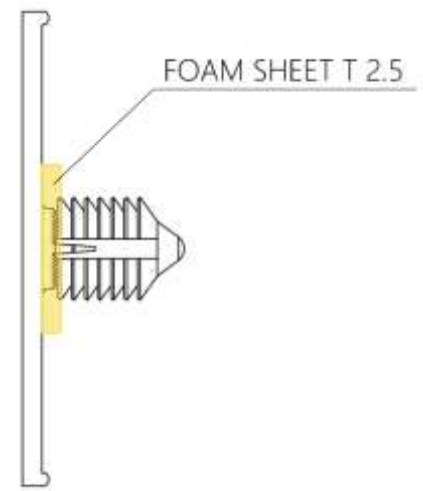
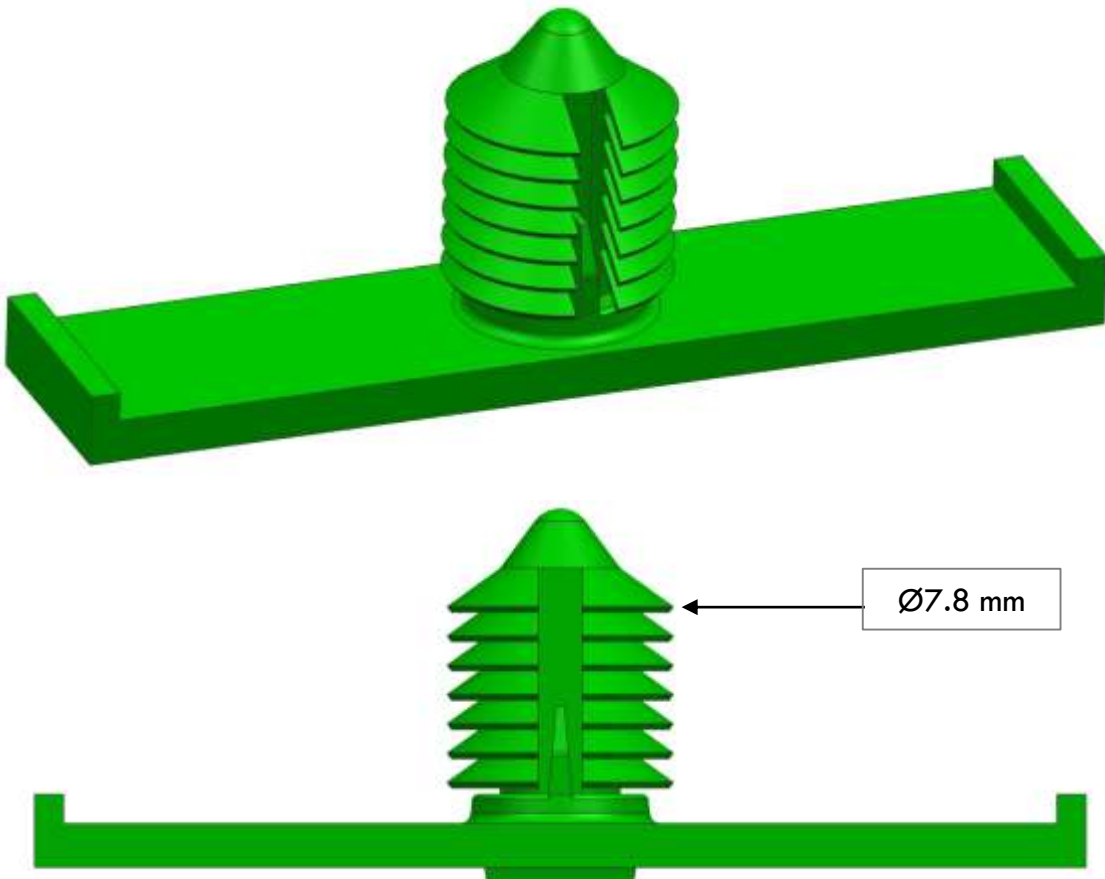
- FOAM SHEET LENGTH:18.0±0.2mm
- FOAM SHEET THICKNESS:2.5mm
- FOAM SHEET WIDTH:11.5±0.2mm

PART SIZE : 55 x 15 x 9 mm

DESCRIPTION	APPLICATION	PART MATERIAL & COLOR
223 CLIP WITH FOAM (APE-126)	AUTOMOTIVE WIRE HARNESSING	PA 6 (BLACK)



Anil Plastics



PART SIZE : 36 x 13 x 8 mm

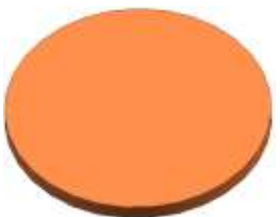
DESCRIPTION	APPLICATION	PART MATERIAL & COLOR
224 CLIP WITH FOAM D6.5 (APE-127)	AUTOMOTIVE WIRE HARNESSING	PA 66 (BLACK)



SHEET METAL (PRESSTOOL)



STAGE-1



STAGE-2



STAGE-3



STAGE-4



DESCRIPTION	APPLICATION	PART MATERIAL & COLOR
GRIPPER RING	TEXTILE M/C COMPONENT	DC03-A-M (SHEET METAL)