

BASKET STRAINER HOUSINGS

A device through which a liquid is passed for purification, filtering or separation from solid matter; anything (including a screen or a cloth) used to strain a liquid; any device functioning as a sieve or filter - in special, a perforated screen or openwork (usually at the end of a suction pipe of a pump), used to prevent solid bodies from mixing in a liquid stream or flowline.

FEATURE

- Fabricated Construction
- Compact And High Capacity Units Are Available
- Custom Modifications Available To Suit Customer Requirements
- Vent & Drain Provided On All Strainers.
- Inline & Offline Connections Are Available.
- Continuous Flow No Shut Down For Cleaning (In Duplex Strainer)
- 3 Way Ball Valve Design For Duplex Strainer

MATERIAL OF CONSTRUCTION

- CARBON STEEL
- STAINLESS STEEL
- OTHER MATERIAL UPON REQUEST

SIMFLEX BASKET STRAINER HSG.

PROCESS CONNECTIONS

1" TO 8" FLANGED END/ BUTTWELD END

PRESSURE RATING: - 150# TO 900#

DUPLEX BASKET STRAINER HSG.

PROCESS CONNECTIONS

- 1" TO 8" FLANGED END
- 1" TO 2" THREADED END

PRESSURE RATING: -

- FLANGED END- 150# TO 900#

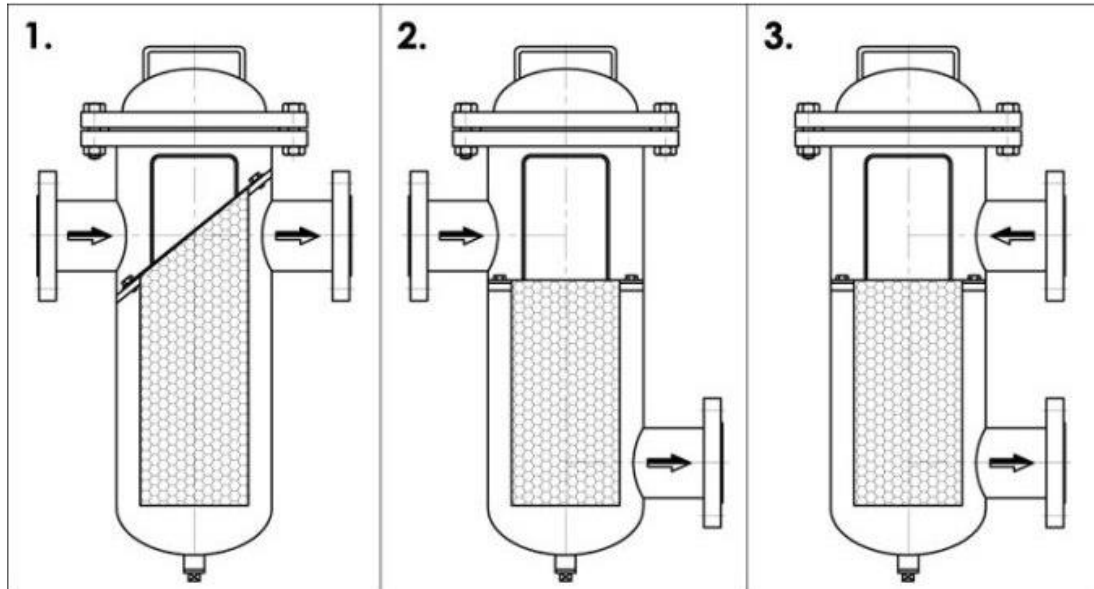


APPLICATIONS:-

- Water, Oil Systems, Other Liquid Systems, Protection Of Pump, Meters, Valves Etc.

BASKET STRAINER OPTIONS

We are the India based Simplex Basket Strainers manufacture and suppliers. We offer Industrial Simplex Basket Strainer and filters in various sizes as per your requirement.



'TEE' STRAINER

PROCESS CONNECTIONS

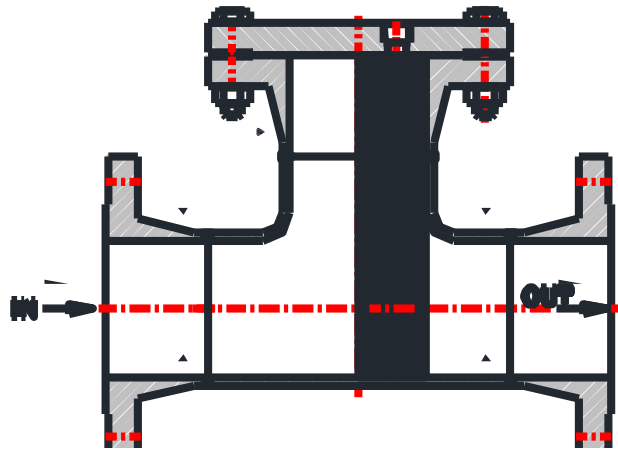
- 1" TO 8" Flanged End (Rating-150# To 900#)
- 1" TO 8" Buttweld Ends

MATERIAL OF CONSTRUCTION:-

- Carbon Steel
- Stainless Steel

FEATURE:-

- Custom Modifications Available To Suit Customer Requirements
- Straight Through Flow Design



'Y' STRAINER

PROCESS CONNECTIONS

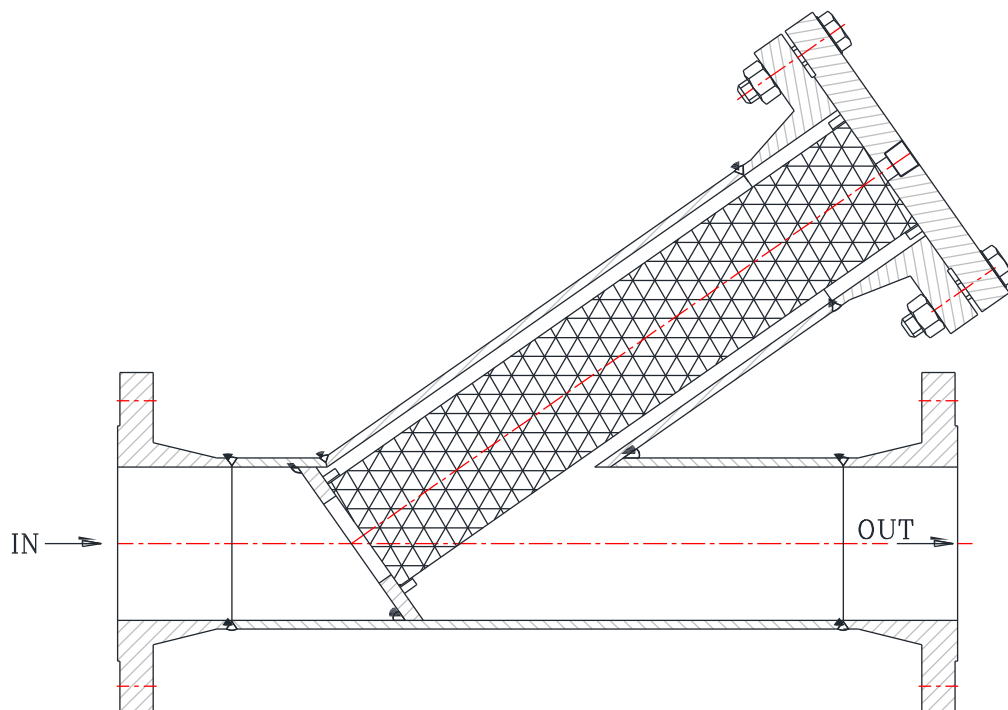
- 1" TO 8" Flanged End (Rating-150# To 900#)
- 1" TO 8" Buttweld Ends

MATERIAL OF CONSTRUCTION:-

- Carbon Steel
- Stainless Steel

FEATURE:-

- Mounting Option:- Horizontal & Vertical
- Custom Modifications Available To Suit Customer Requirements

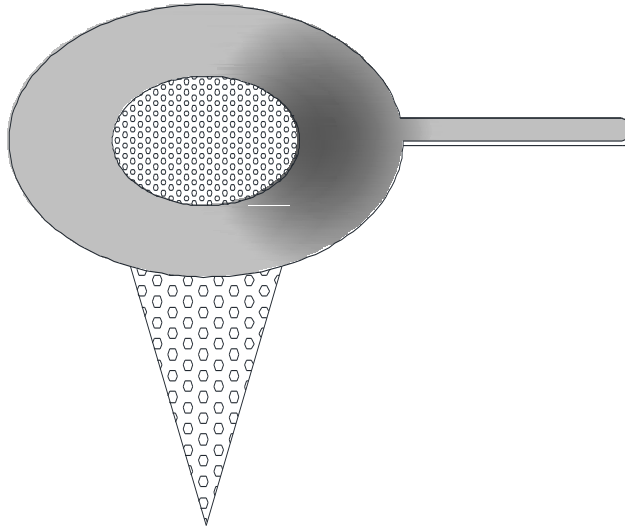


TEMPORARY STRAINERS

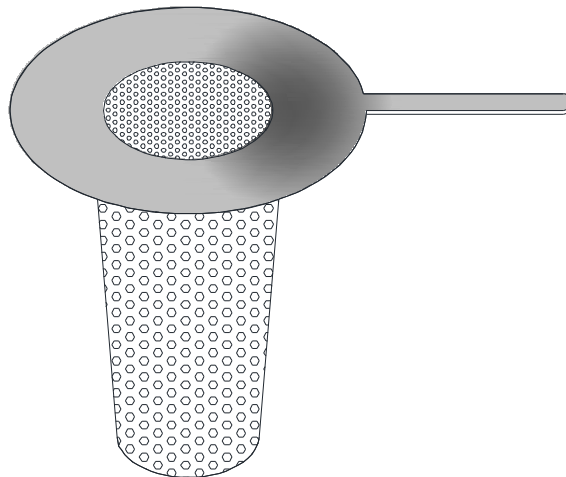
A Temporary Strainer May Be Installed Between Flanges In A Pipeline.

VERIATIONS OF TEMPORARY STRAINER:-

1) CONICAL TYPE STRAINER



2) CONE TYPE BASKET STRAINER



SIZE:-

- 1" TO 8" Flanged (Pressure Rating-150#-900#)

MATERIAL OF CONSTRUCTION:-

- Carbon Steel
- Stainless Steel
- Alloy Steel

