

For any kind of air-actuated equipment, there is usually a specific pressure which leads to the efficient operation of the equipment. At a higher pressure, the equipment will wear out excessively with no significant increase in the output and the compressed air will be wasted. Hence, while choosing an air pressure regulator, its features and flow rates must be carefully taken into account.

This diaphragm-operated, self-relieving type air pressure regulator, having a large flow capacity, maintains constant downstream air pressure inspite of fluctuations in the input pressure. The self-relieving feature of the regulator does not strain the downstream pipeline. The ergonomically designed pressure adjusting knob facilitates effortless operation of the regulator. 'The Push-to-Lock' knob helps in locking the regulator at a predetermined or desired output air pressure.

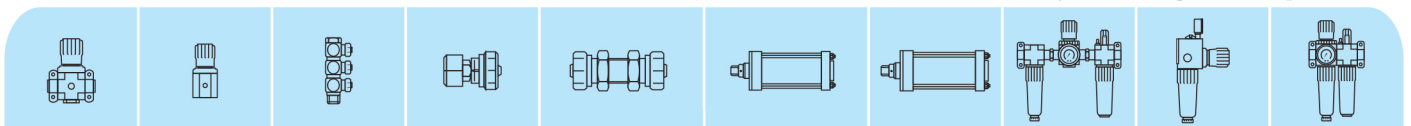
All dimensions in mm unless otherwise specified

Type	B1	B2	B3	B4	B5	B6	B7	B8	D1 BSP	D2 Dia	D3	D4 Dia.	D5 Dia.	H1	H2	H3	H4	L1	L2
REG-200	64	52	40	98	77	40.0	2	- -	1/4"	31	M36 x 1.5P	4.2	38	21	35	42	17.5	96	68.0
REG-800 N	85	70	57	118	99	46.5	3	55	1/2"	49	M52 x 1.5P	5.5	53	32	60	69	30.0	132	97.5

Specifications	REG-100 (Mini)	REG-200 (Midi)	REG-800 N (Midi)
Medium	Filtered compressed air (Lubricated or Unlubricated)		
Design	Diaphragm regulator self-relieving		
Mounting	Line mounting, mounting bracket or in control panel		
Port size	1/4" BSP	1/4" BSP	1/2" BSP
Pressure gauge port size	1/8" BSP	1/8" BSP	1/4" BSP
Installation position	Any	Any	Any
Standard nominal flow rate ❖	1200 lit. / min.	1500 lit. / min.	3500 lit. / min.
Maximum operating pressure	10 bar	16 bar	16 bar
Regulating pressure	0.5 to 7 bar	0.5 to 7 bar 0.5 to 12 bar (Optional-0.2-2Bar 0.2-4 Bar, 0.5-7 Bar)	0.5 to 7 bar 0.5 to 12 bar
Temperature range	-10 ⁰ C to +60 ⁰ C		
Material	Housing and connecting plates - Aluminium, Seal - Nitrile		

❖ With 10 bar primary pressure, a working pressure of 6 bar, pressure drop of 1 bar.

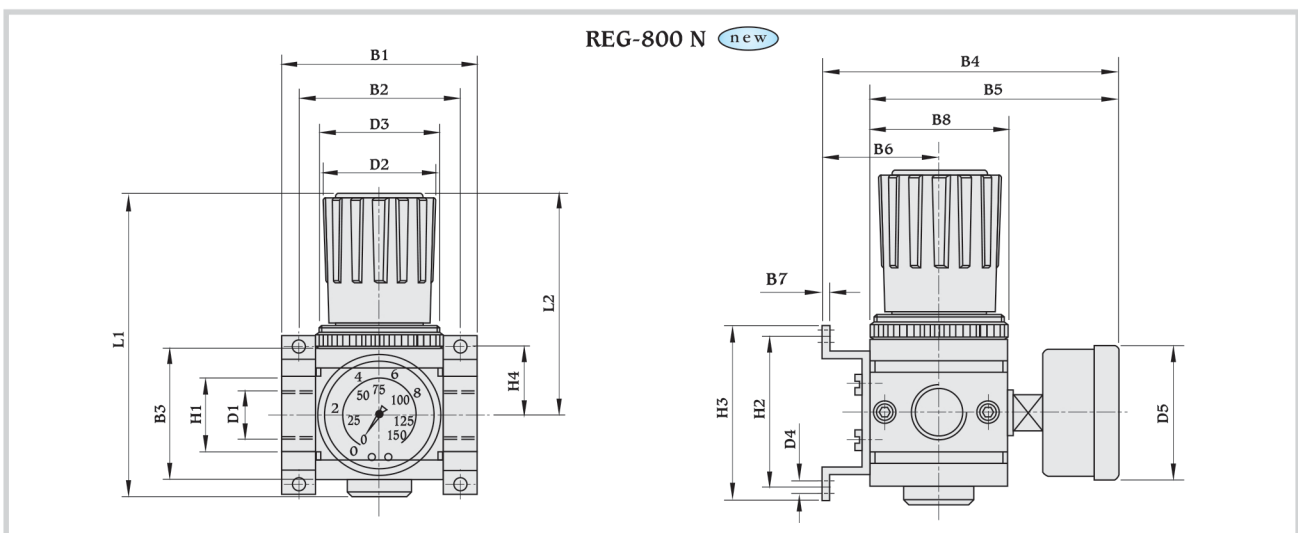
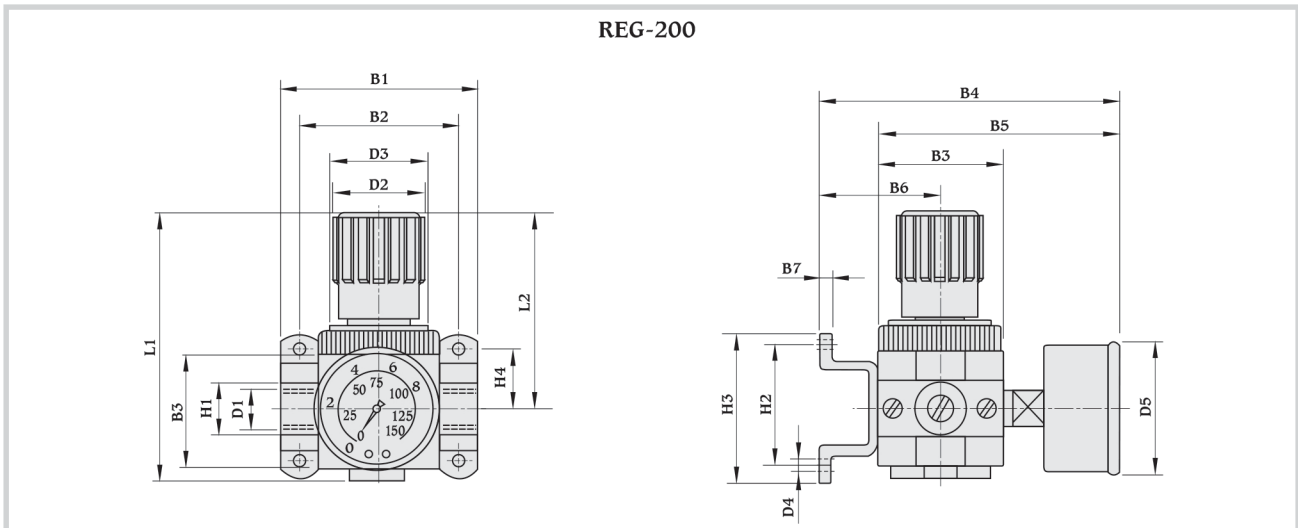
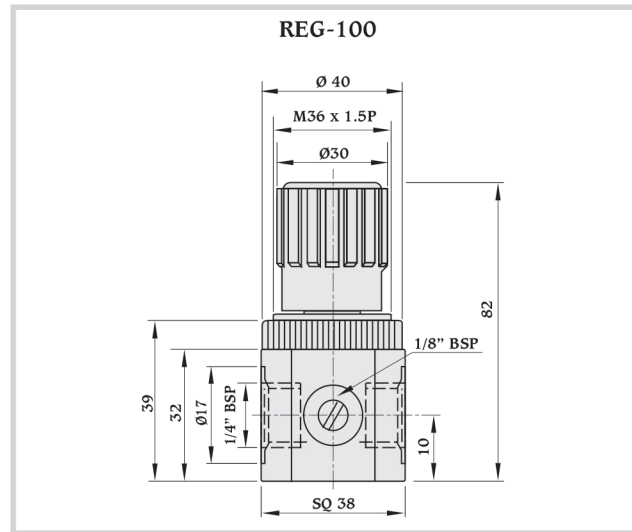
Note : Subject to change without prior notice





Air Pressure Regulators

Basic Dimensions



All dimensions in mm unless otherwise specified

Note : Subject to change without prior notice

