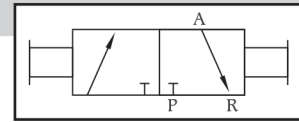
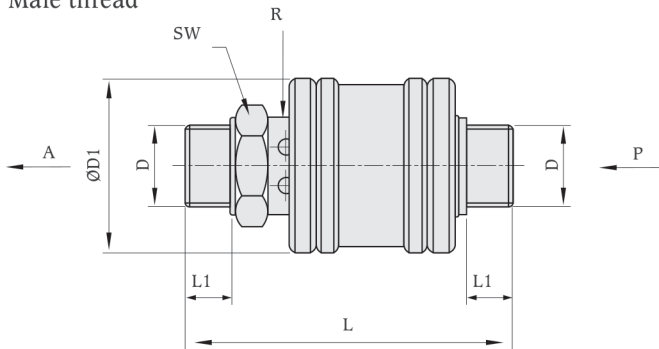


# Hand Slide Valve

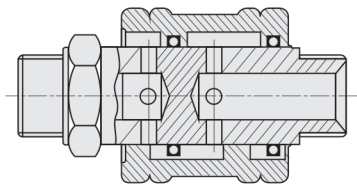
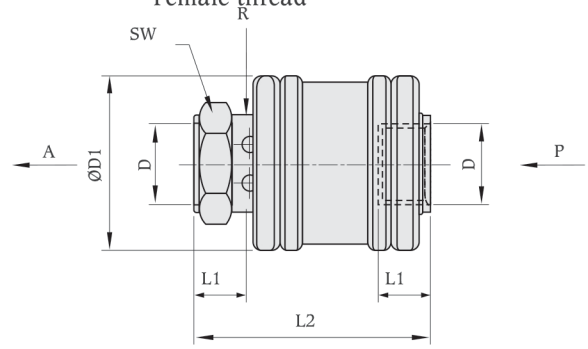


## Basic Dimensions

Male thread



Female thread



P = Supply port  
 A = Working or outlet lines.  
 R = Exhaust port

Type	D	D1	L	L1	L2	SW
HSV - 1/4"	1/4" BSP	32	78	12	54	19
HSV - 1/2"	1/2" BSP	45	85	12	61	27

## Technical Specifications

Feature	Value	
Type	HSV - 1/4"	HSV - 1/2"
Medium	Compressed air (Filtered & lubricated)	
Design	Slide valve without return spring	
Connection	1/4" BSP	1/2" BSP
Orifice size	7 mm	13 mm
Operating pressure range	0 to 10 kg/sq.cm	
Temperature range	-10°C to + 60°C	
Nominal flow rate LPM	1000	2000
Type of mounting	Line fitting (screw in thread)	
Material	Aluminium, Nitrile.	

All dimensions in mm unless otherwise specified

Note : Subject to change without prior notice

