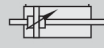




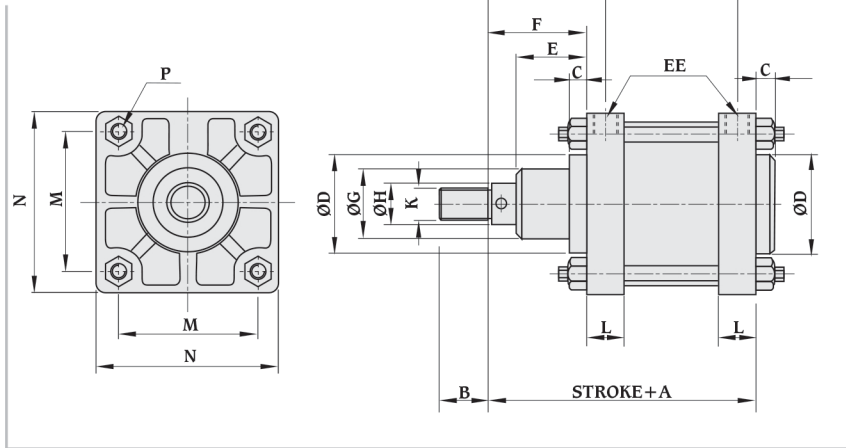
Heavy Duty Air Cylinders



Basic Dimensions

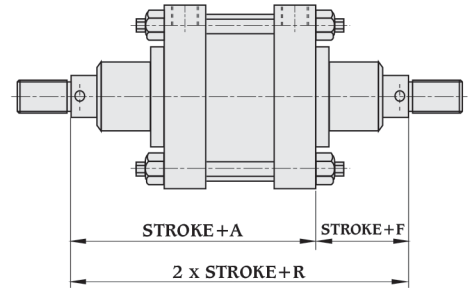
Single-Ended Piston Rod

Size : 125mm To 8"



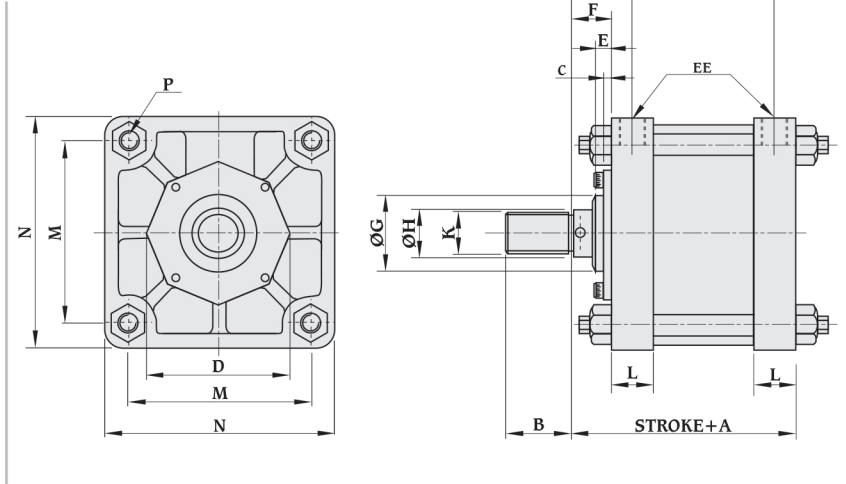
Double-Ended Piston Rod

Size : 125mm To 8"



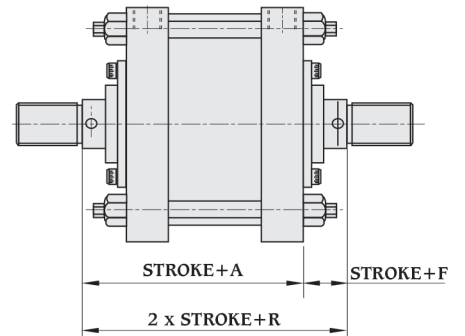
Single-Ended Piston Rod

Size : 10" To 14"



Double-Ended Piston Rod

Size : 10" To 14"



All dimensions in mm unless otherwise specified

Bore size	A	B	C	D	E	EE BSP	F	G Ø	H Ø	I	J	K THD's	L	M	N	P THD	R
125mm	172.0	51	12	64	47.0	3/8"	64.0	50.0	35	80.0	76	M27 x 2P	28.0	108	140	M12 x 1.75P	236
150mm	176.5	51	8	68	42.5	1/2"	59.5	50.0	35	75.8	85	M27 x 2P	32.5	130	165	M16 x 2P	236
8"	210.0	55	12	72	48.0	3/4"	63.0	64.0	45	81.0	111	M38 x 2P	35.0	168	216	M20 x 2.5P	273
10"	248.0	76	10	165	22.0	3/4"	48.0	88.5	57	76.0	144	M50 x 2P	48.0	210	267	M24 x 3P	296
12"	289.0	76	13	183	28.0	1"	60.0	95.0	57	89.0	171	M50 x 2P	54.5	246	325	M24 x 3P	349
14"	289.0	76	13	183	28.0	1"	60.0	95.0	57	89.0	171	M50 x 2P	54.5	292	375	M24 x 3P	349

Note : Subject to change without prior notice

