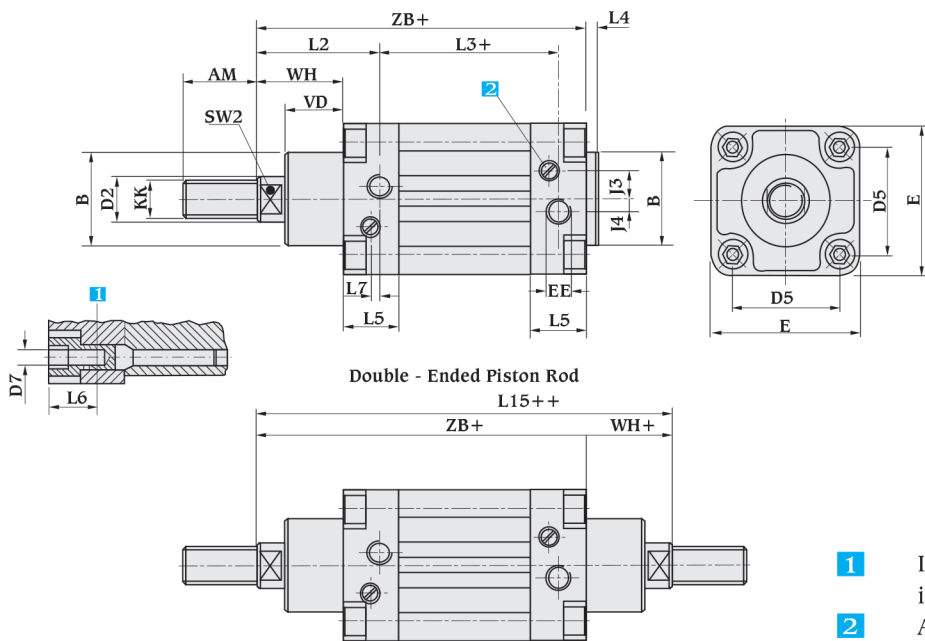


Type	ISO Deluxe Proximity sensing
Order code	ISO Deluxe+ Piston dia + Stroke length + End position cushioning + Mounting
Medium	Compressed air, (Filtered & Lubricated)
Design	Piston cylinder
Max. operating pressure	12 bar
Temperature range	-20°C to +80°C
Range of piston dia	32 to 100
Material	<ul style="list-style-type: none"> • End caps : Aluminium die cast • Barrel : Aluminium profile barrel, Non-corrosive, Light weight • Piston rod : SS.410 roller burnished • Seal : Polyurethane

Basic Dimensions

ISO Deluxe Cylinder



- 1** Internal Hexagon Head Screw with internal thread
- 2** Adjusting Screw for adjustable limit damping
- + = Plus stroke length
- ++ = Plus 2 x stroke length

All dimensions in mm unless otherwise specified

Piston dia	AM	B ø	D2 ø	D5	D7	E	EE BSP	J3	J4	KK	L2	L3	L4	L5	L6	L7	L15	SW2	VD	WH	ZB
32	22	30	12	32.5	M5 x 0.8	45	G1/8"	7	--	M10 x 1.25	35	76	4	26	15	9.5	146	10	16	26	120
40	24	35	16	39.6	M5 x 0.8	54	G1/4"	9.6	4.5	M12 x 1.25	43	79	5.5	26	15	3.0	165	13	20	30	135
50	32	40	20	48.0	M8 x 1.25	65	G1/4"	12	5.5	M16 x 1.5	49	84	5	24	14	4.0	179	17	25	37	142
63	32	42	20	59.4	M8 x 1.25	80	G3/8"	13	11.5	M16 x 1.5	54	87	6	28.5	14	-	195	17	28	40	155
80	40	48	25	70.7	M8 x 1.25	96	G3/8"	17	16	M20 x 1.5	63	96	6	27	17	-	220	22	34	49	171
100	40	55	25	89	M10 x 1.5	110	G1/2"	12	18	M20 x 1.5	70	100	4	39	17	8	240	22	38.2	51	189

Note : Subject to change without prior notice

