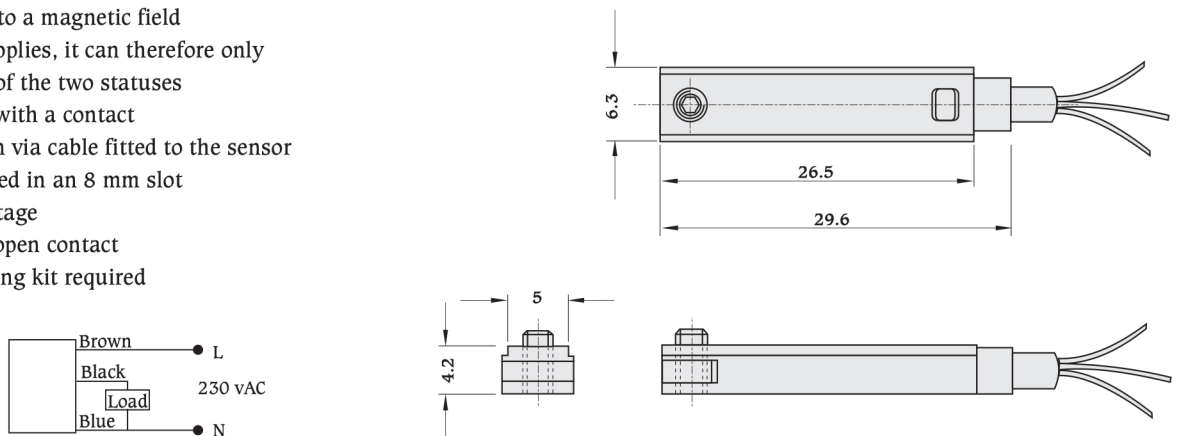


Magnetic Sensor - DMS - 230VAC NO

Features

- Electrical output signal
- Responds to a magnetic field
- Output supplies, it can therefore only have one of the two statuses
- Equipped with a contact
- Connection via cable fitted to the sensor
- Can be fitted in an 8 mm slot
- For DC voltage
- Normally open contact
- No mounting kit required

Basic dimensions



All dimensions in mm unless otherwise specified

Applications

Proximity sensors are used for contactless indication with Deluxe (DCP) cylinders having a sensor groove.

It emits an electrical signal when a magnetic field approaches. The switching status is indicated by a red light emitting diode.

Technical Specifications

Feature	Value
Medium	Magnetic field & electric current
Design	Electric signal
Function on actuation	N/O Contact
Size of sensor	8
Switching accuracy	0.1 mm
Ambient temperature min. standard	-30 ⁰ c
Ambient temperature max. standard	60 ⁰ c
Ambient temperature max. screwed in	-5 ⁰ c
Ambient temperature max.	60 ⁰ c
Connection type elec.	Cable
Number of cores	3
Length of cable	2500 mm
Number of pins, plug connections	3
Operating status display	Red LED
Type of mounting	Clamping in sensor slot
Product weight	25 gm
Type of voltage	AC / DC
Nominal operating voltage (DC)	230 V
Operating voltage min. (DC)	3 V
Operating voltage max. (DC)	250 V
Nominal operating voltage (AC)	230 V

Note : Subject to change without prior notice

