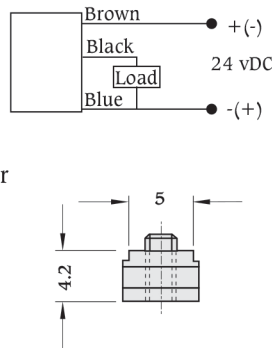
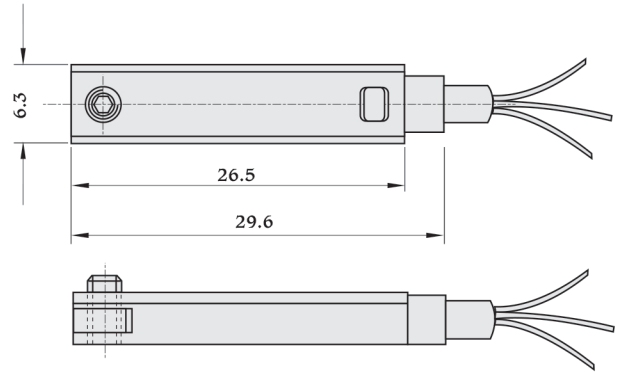


Features

- Electrical output signal
- Responds to a magnetic field
- Output supplies, it can therefore only have one of the two statuses
- Equipped with a contact
- Connection via cable fitted to the sensor
- Can be fitted in an 8 mm slot
- For DC voltage
- Normally open contact
- No mounting kit required



Basic Dimensions

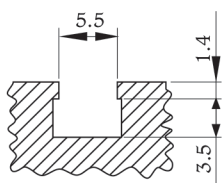


All dimensions in mm unless otherwise specified

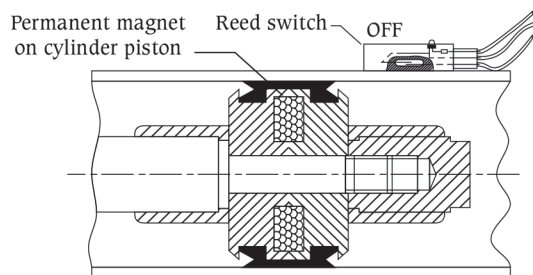
Technical Specifications

Feature	Value
Medium	Magnetic field & electric current
Design	Electric signal
Function on actuation	N/O Contact
Size of sensor	8
Switching accuracy	0.1 mm
Ambient temperature min. standard	-30 ^o c
Ambient temperature max. standard	70 ^o c
Ambient temperature max. screwed in	-5 ^o c
Ambient temperature max.	70 ^o c
Connection type elec.	Cable
Number of cores	3
Length of cable	2500 mm
Number of pins, plug connections	3
Operating status display	Red LED
Type of mounting	Clamping in sensor slot
Product weight	25 gm
Type of voltage	DC / AC
Nominal operating voltage (DC)	24 V
Operating voltage min. (DC)	12 V
Operating voltage max. (DC)	30 V
Nominal operating voltage (AC)	24 V

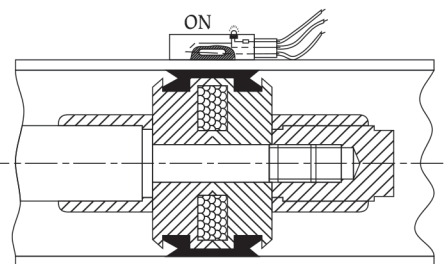
Working Principle



Housing "T" Slot Dimension



When the reed switch is not actuated, the switch contacts are open.



When the switch enters a magnetic field, the switch contacts are closed.

Note : Subject to change without prior notice

