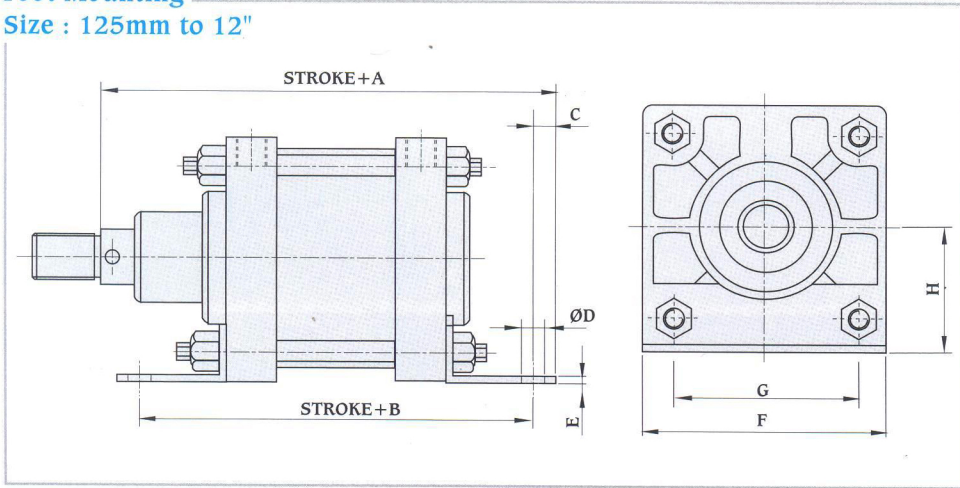


# Heavy Duty Pneumatic Cylinders - Mountings

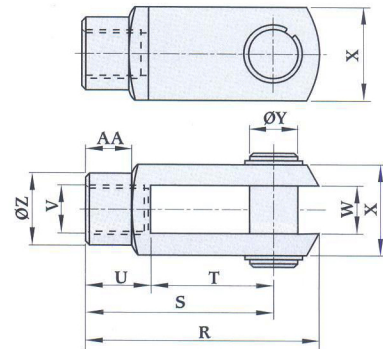
Basic Dimensions



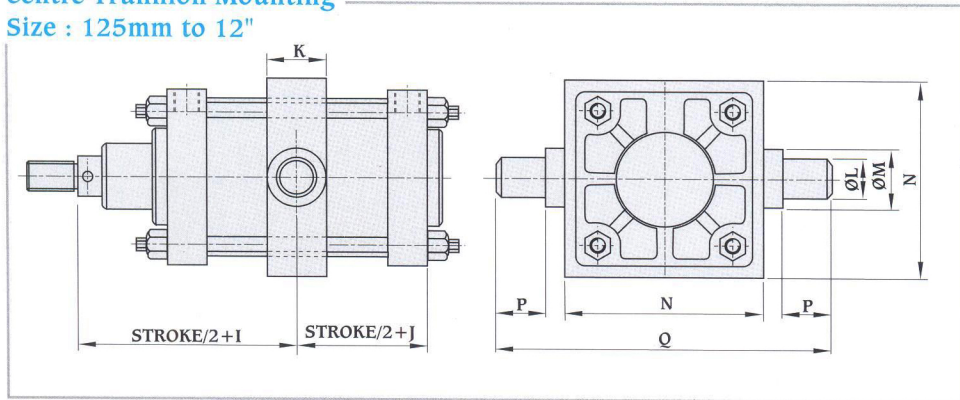
## Foot Mounting Size : 125mm to 12"



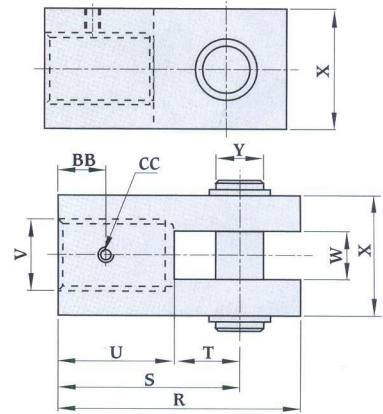
## Piston Rod Clevis Size : 125mm to 150mm



## Centre Trunnion Mounting Size : 125mm to 12"



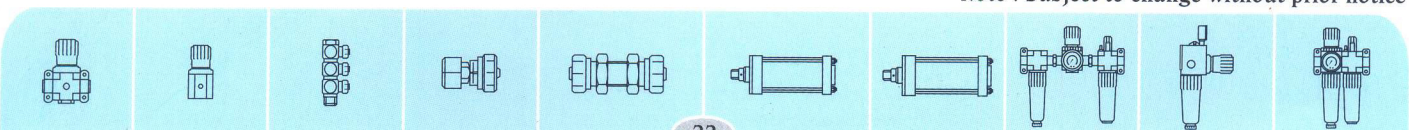
## Piston Rod Clevis Size : 8" to 12"



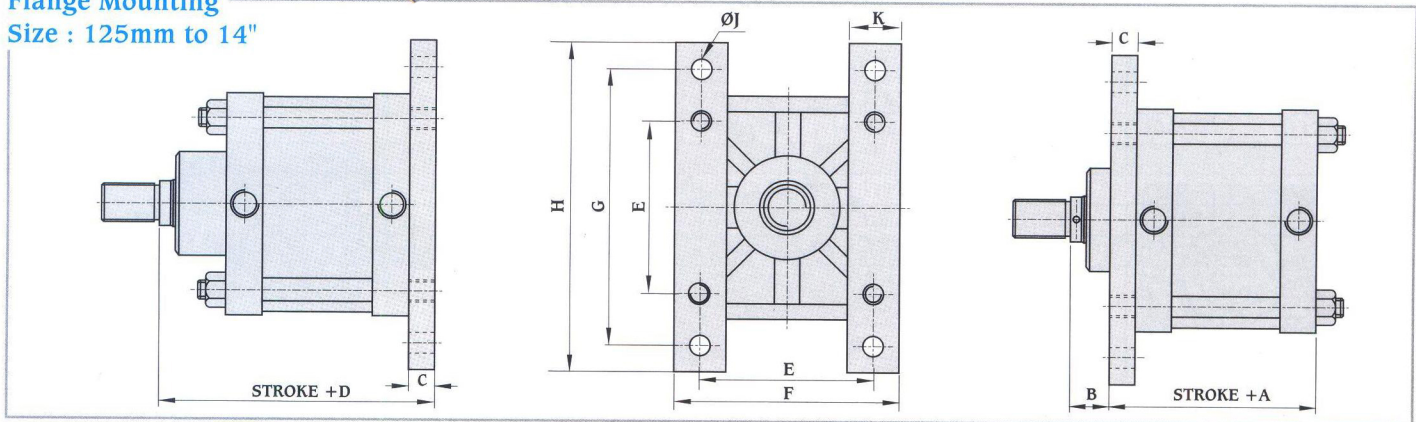
All dimensions in mm unless otherwise specified

Bore size	A	B	C	Ø D	E	F	G	H	I	J	K	Ø L	Ø M	N
125mm	227.0	186	16	14	5	140	108	73	118.0	54.0	51	38.0	51	152
150mm	236.5	199	19	17	5	162	130	88	118.0	58.5	51	38.0	51	185
8"	285.0	257	19	20	10	216	168	115	136.5	73.5	76	44.0	57	243
10"	338.0	330	25	26	13	267	210	142	148.0	100.0	89	50.0	63	300
12"	384.0	361	29	29	13	325	246	160	174.5	114.5	106	76.0	102	369
Bore size	P	Q	R	S	T	U	V	W	X	Ø Y	Ø Z	AA	BB	CC
125mm	51.0	261	114	89	51	38	M27 x 2	27.0	51.0	25	41.0	13	-	-
150mm	45.0	280	114	89	51	38	M27 x 2	27.0	51.0	25	41.0	13	-	-
8"	54.0	358	127	95	38	57	M38 x 2	25.4	63.5	25	-	-	25	M8 x 1.25
10"	63.0	432	159	121	44	77	M50 x 2	32.0	76.0	32	-	-	30	M8 x 1.25
12"	76.0	534	159	121	44	77	M50 x 2	32.0	76.0	32	-	-	30	M8 x 1.25

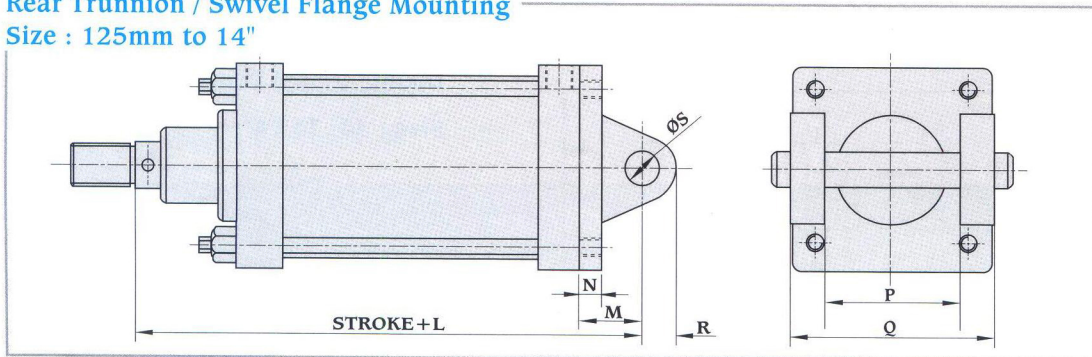
Note : Subject to change without prior notice



### Flange Mounting Size : 125mm to 14"



### Rear Trunnion / Swivel Flange Mounting Size : 125mm to 14"



All dimensions in mm unless otherwise specified

Bore size	A	B	C	D	E	F	G	H	J Ø	K	L	M	N	P	Q	R	S Ø
125mm	128	44.0	20	192.0	108	148	171	203	14.0	40	217.0	45	20	89	140	25	25
150mm	137	39.5	20	196.5	130	170	203	242	16.0	40	225.5	49	20	108	172	25	25
8"	193	38.0	25	235.0	168	218	267	318	20.0	50	268.0	58	29	146	223	30	41
10"	232	16.0	32	280.0	210	265	311	384	26.0	55	312.0	64	32	165	270	38	44
12"	261	28.0	32	321.0	246	310	384	448	27.0	64	385.0	96	39	220	325	38	41
14"	267	22.0	38	327.0	292	268	457	523	33.0	76	385.0	96	39	270	375	38	41

Note : Subject to change without prior notice

