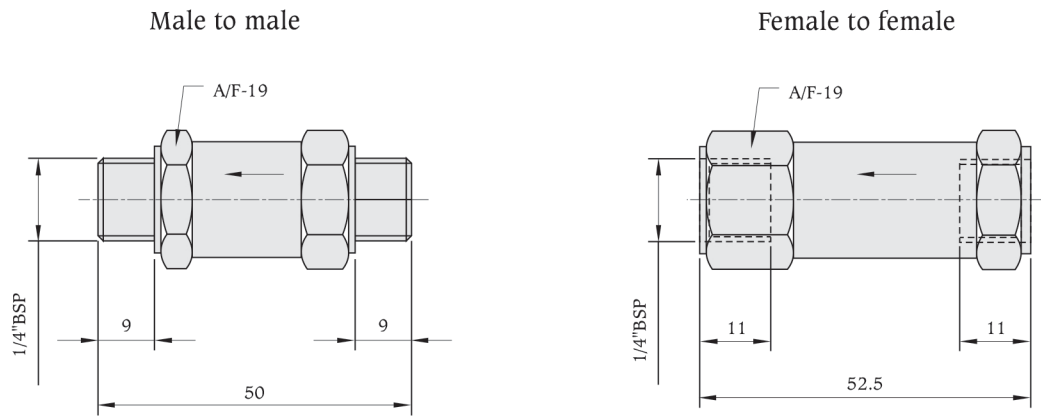


Basic Dimensions



Technical Specifications

Feature	Value
Type	NRV - 1/4"
Medium	Compressed air (Filtered & lubricated)
Connection	1/4" BSP
Orifice size	6 mm
Operating pressure range	0.4 to 12 kg/sq.cm
Type of mounting	Line fitting (screw in thread)
Temperature range	-10°C to + 60°C
Nominal flow rate LPM	1000
Material	Aluminium, Nitrile

All dimensions in mm unless otherwise specified

Note : Subject to change without prior notice

