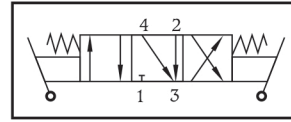
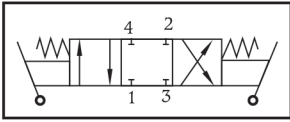
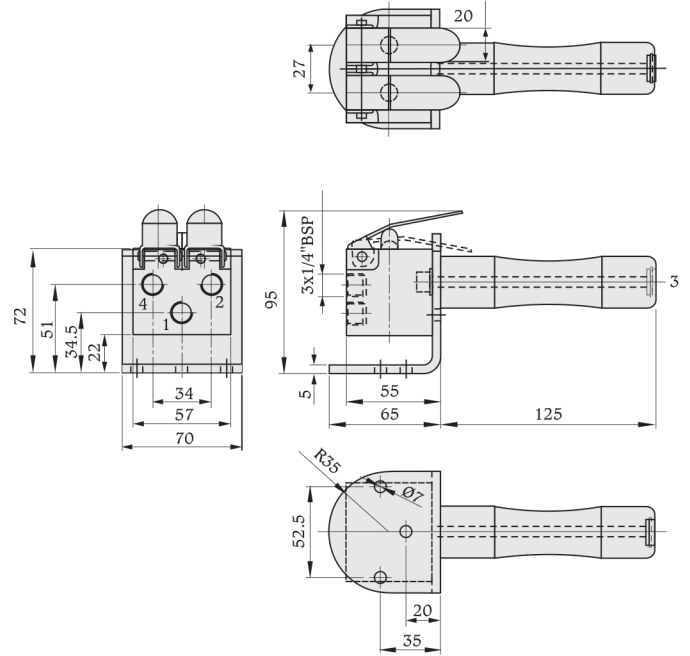
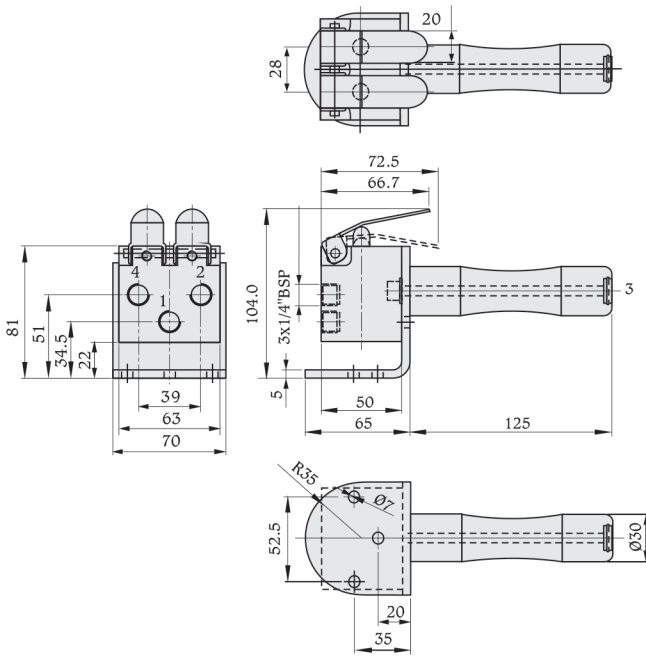


Model PN-4/3-2-HL (NTR)  
4 Port 3 position hand lever valve (NTR)

Model PN-4/3-2-HL (NEG)  
4 Port 3 position hand lever valve (NEG)



## Basic Dimensions



- |      |                           |            |
|------|---------------------------|------------|
| 1    | = Supply port             | - 1/4" BSP |
| 4, 2 | = Working or outlet lines | - 1/4" BSP |
| 3    | = Exhaust port            | - Silencer |

## Technical Specifications

Feature	Value	
Type	PN-4/3-2-HL-(NTR)	PN-4/3-2-HL (NEG)
Port size	1/4" BSP	
Orifice size	6 mm	
Medium	Compressed air (Filtered & lubricated)	
Operating pressure range	0 to 10 kg/sq.cm	
Minimum temperature of medium	-10°C	
Maximum temperature of medium	60°C	
Type of mounting	Mounting bracket	
Material	Aluminium, Brass, Nitrile, Steel	

All dimensions in mm unless otherwise specified

Note : Subject to change without prior notice

