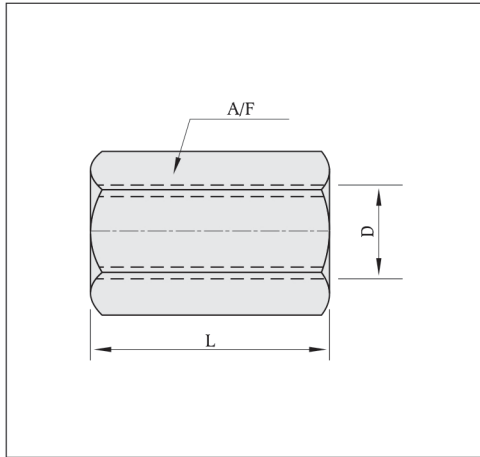
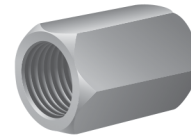


Sockets

Basic Dimensions



Material : Aluminium
Finish : Blue anodised



Order code No. and type	Dimensions		
	D	L mm	A/F
SKT - 1/8" BSP	1/8" BSP	25	1/2"
SKT - 1/4" BSP	1/4" BSP	25	5/8"
SKT - 3/8" BSP	3/8" BSP	25	3/4"
SKT - 1/2" BSP	1/2" BSP	25	1"

Note : Subject to change without prior notice

