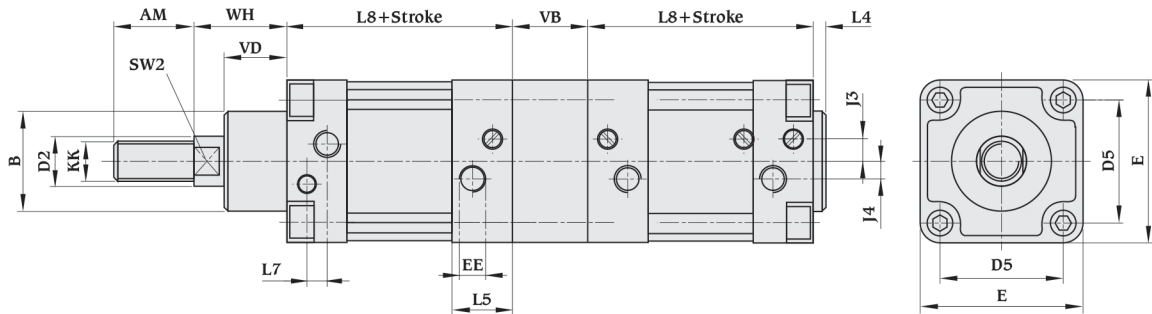


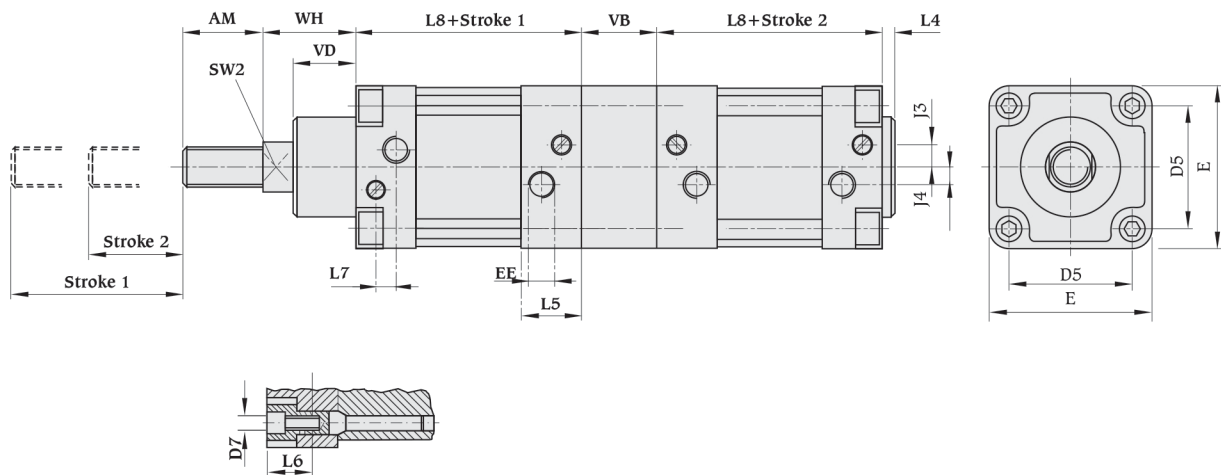
Tandem Air Cylinders



Tandem push with common rods



Tandem push with independent rods



- 1** Internal Hexagon Head Screw with internal thread
- 2** Adjusting Screw for adjustable limit damping
- + = Plus length of stroke
- ++ = Plus 2 x stroke length

All dimensions in mm unless otherwise specified

Piston dia	AM	B Ø	D2 Ø	D5	D7	E	EE BSP	J3	J4	KK	L4	L5	L6	L7	L8	SW2	VB	VD	WH
32	22	30	12	32.5	M5 x 0.8	45	G1/8"	7	--	M10 x 1.25	4	26	15	9.5	94	10	25	16	26
40	24	35	16	39.6	M5 x 0.8	54	G1/4"	9.6	4.5	M12 x 1.25	5.5	26	15	3	105	13	30	20	30
50	32	40	20	48.0	M8 x 1.25	65	G1/4"	12	5.5	M16 x 1.5	5	24	14	4	105	17	40	25	37
63	32	42	20	59.4	M8 x 1.25	80	G3/8"	13	11.5	M16 x 1.5	6	28.5	14	-	115	17	40	28	40
80	40	48	25	70.7	M8 x 1.25	96	G3/8"	17	16	M20 x 1.5	6	27	17	-	122	22	50	34	49
100	40	52	25	93.3	M8 x 1.25	126	G1/2"	17.5	18	M20 x 1.5	7	32.5	17	-	134	22	50	40	53

Note : Available only in economy model

Note : Subject to change without prior notice

