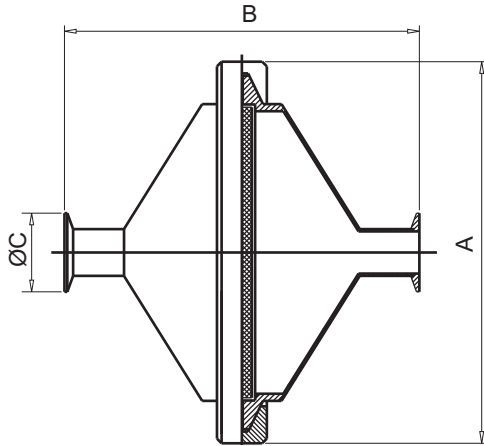


CONICAL FILTER



The conical filter separates visible particles from liquids/gases. SS 316/304 Quality conical filter comprises of two conical body coupled with tri clamp. The filter element /mesh (support perforated plate) being inserted in rubber seat and both being sandwiched for proper seating.

Specifications

Materials - All wetted parts
SS 316, Gaskets are
Silicon, Teflon, EPDM, or Viton

| SL | ØA | B | ØC |
|------|-----|-----|----|
| Ø1" | 190 | 180 | 25 |
| Ø1½" | 190 | 180 | 38 |
| Ø2" | 190 | 180 | 50 |
| Ø2½" | 200 | 100 | 63 |
| Ø3" | 210 | 200 | 76 |