



EUREKA

ISO 9001:2015, ISO 14001:2015, ISO 45001:2018, ISO 17025:2017: NABL Certified Company

GLASS TUBE ROTAMETER



LOFLO METER



**EUREKA
INDUSTRIAL
EQUIPMENTS
PVT. LTD.**

REGD. & SALES OFFICE : 17-20, 1st Floor, Royal Chambers, Paud Road, Pune - 411 038, Maharashtra, India.

■ Tel: 0091-20-25443079,25461315 ■ sales@eurekaflow.com

FACTORY : 501, 'J' Block, M.I.D.C., Pimpri, Pune - 411018.

■ Email: works@eurekaflow.com

MUMBAI OFFICE : Office No.116, Growmore Tower, 1stFloor, Plot No.5, Sector No.2, Kharghar, Navi Mumbai - 410 210

www.eurekaflow.com

Glass Tube Rotameter

Eureka Variable Area Flow Meters (Rotameters) work on the principle of Variable Area. The float moves freely up and down in the tapered borosilicate glass tube with fluid flow from bottom to top. The float takes up a position where buoyancy forces and the float weight are balanced in proportion to flow rate. The vertical position of the float as indicated by scale is the measure of the instantaneous flow rate.

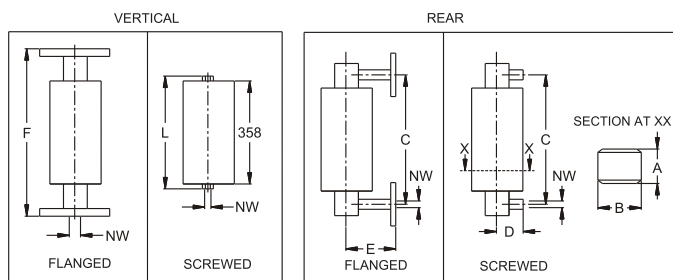
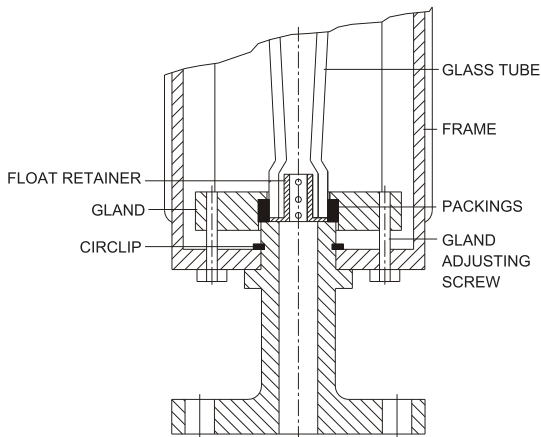


Materials of Construction

Tube	: Borosilicate Glass
Float	: SS316, PTFE, other on request
Packings	: Neoprene, PTFE, Silicon, VITON
End Fitting	: Mild steel, Carbon steel, SS304, SS316, CF-8M, CF8, Cast Iron PTFE lined, SS lined, PVC, and any other desired material subject to its availability.
Frame & Cover	: Mild Steel, SS (optional)

Performance

Accuracy	: $\pm 2\%$ of full flow
Repeatability	: 0.5%
Rangeability	: 10:1
Scale length	: 175-200 mm, 250mm (Optional), 500 mm (optional)
Max. Temp.	: Up to 200°C, depending upon gland packing material
Connections	: Flanged or Threaded
Enclosure	: IP 55 or IP65 on request



OVERALL DIMENSIONS

NW	F	L	C	E	D	A	B
15	500	400	440	90	55	95	90
20	500	400	440	90	60	95	90
25	500	400	440	115	65	120	115
40	500	400	500	125	70	140	140
50	500	450	500	150	70	155	160
80	500	NA	500	170	NA	190	190
80	600	NA	NA	NA	NA	NA	NA

Model Identification Chart

for EUREKA make Glass Tube Rotameter

Material of Construction							
Stainless Steel	SS						
Mild Steel	MS						
PTFE Lined	T						
Brass	B						
Carbon Steel	CS						
Cast Iron	CI						
Rubber Lined	R						
Polypropylene	P						
Alloy Steel	A						
Inlet Outlet Connection Direction							
Vertical (Inlet bottom, Outlet top)		V					
Side conn. / Rear conn. / Inlet bottom, Outlet side		R					
Type of connection							
Flange			F				
Screwed			S				
Hose			H				
Tube size							
PG-1 TO PG-21						PG-1 TO PG-21	
Modification in connection							(M)
Standard conn.							
Modified meter conn.							
Accessories							
Flow Switch (Proximity Single Point)							FSPL
Flow Switch (Proximity Double Point)							FSPHL
Needle Valve							NV
Stainless Steel Frame							SF
Extra Long (Scale Length 500mm approx.)							X
Weather Proof							WP
Long (Scale Length 250mm approx.)							L
TYPICAL MODEL NO. :		SS	R	F	PG-5	M	FSPL

- REMARKS**
- CONN. DIRECTION CODE R IS NOT AVAILABLE IN CASE OF MATERIAL CODE T & R
 - IP55 / IP65 IS NOT APPLICABLE IN CASE OF CODE FSPL & FSPHL
 - X TYPE ONLY AVAILABLE FOR PG-4 TO PG-17

Standard Ranges - Glass Tube Rotameter With SS Float

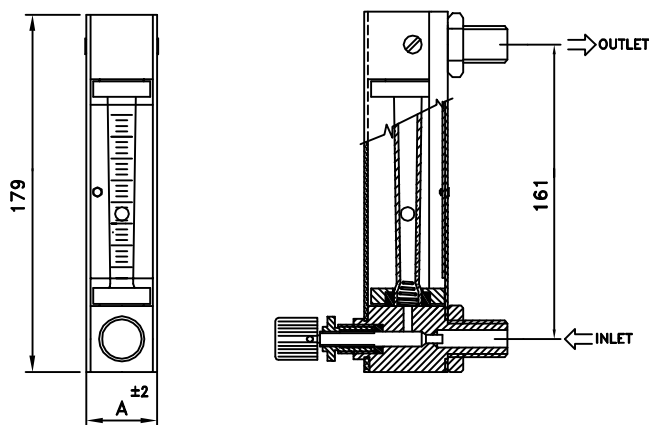
NW	Glass size	Water at Amb. Temp LPH		(with SS Float) USGPM		Air at 20°C. 760 Torr nm ³ /hr		SCFM		Pressure rating KG/CM ² G	Pressure Drop mm WC
		Minimum	Maximum	Minimum	Maximum	Minimum	Maximum	Minimum	Maximum		
15	PG-1	4	40	0.018	0.18	0.14	1.4	0.90	9.00	25	140
	PG-2	6	60	0.026	0.26	0.2	2	0.13	1.30		
	PG-3	10	100	0.04	0.44	0.3	3	0.19	1.90		
20	PG-4	16	160	0.07	0.70	0.5	5	0.32	3.20	25	360
	PG-5	25	250	0.11	1.10	0.8	8	0.50	5.00		
	PG-6	40	400	0.175	1.75	1.2	12	0.76	7.60		
	PG-7	60	600	0.26	2.60	-	-	-	-		
25	PG-8	60	600	0.26	2.60	2	20	1.25	12.50	15	650
	PG-9	100	1000	0.44	4.40	3	30	1.90	19.00		
	PG-10	160	1600	0.70	7.00	-	-	-	-		
40	PG-11	250	2500	1.10	11.00	-	-	-	-	12	950
	PG-12	160	1600	0.70	7.00	5	50	3.10	31.00		
	PG-13	300	3000	1.30	13.00	8	80	5.00	50.00		
50	PG-14	400	4000	1.75	17.50	-	-	-	-	10	550 950
	PG-15	400	4000	1.75	17.50	12	120	7.60	76.00		
	PG-16	600	6000	2.65	26.50	18	180	11.30	113.00		
80	PG-17	1000	10000	4.40	44.00	-	-	-	-	7	750 900
	PG-18	1000	10000	4.40	44.00	30	300	19.00	190.00		
80	PG-19	1600	16000	7.00	70.00	-	-	-	-	7	750 900 1100
	PG-20	2500	25000	11.00	110.00	-	-	-	-		
	PG-21	4000	40000	17.50	175.50	-	-	-	-		

Data required for sizing :

- Name of Fluid
- Sp. Gr. Of Fluid at Operating Conditions
- Viscosity of Fluid at Operating Conditions
- Operating Pressure & Operating Temperature
- Measuring Range
- Material of Construction desired.

Loflo Meter/Purge Meter

MODEL : MGS 5 TO MGS-14, MGS-4E



MODEL NO	A
MGS5-8, MGS-4E	35
MGS9-11	42
MGS12-14	46

A- MGS 5-8:35 | MGS 12-14:46

A- MGS 9-11:42 | MGS -4E:35

PERFORMANCE

Accuracy	: ± 3% Full flow
Rangeability	: 10:1
Scale length	: 75mm Approx.
Max. Temperature	: Up to 120°C depending upon gland packing material
Max. Pressure	: 100 psig. (High pressure on request)
Connection	: 1/4" BSP (M), other on request
Direction of conn.	: Back to Back (Rear) Bottom to Top (Vertical)
Optional Connections	: Screwed, Hose, Compression fitting

MATERIALS

Measuring tube	: Borosilicate Glass
Float	: SS 316, Hard Rubber, Aluminium, Glass, PTFE
End fittings	: AISI SS 316
Packing / Gaskets	: Neoprene, Silicon, Viton, PTFE
Cover	: Transparent Acrylic / Polycarbonate
Additional Accessories	: Differential Pressure Regulator, High and Low Flow Alarms

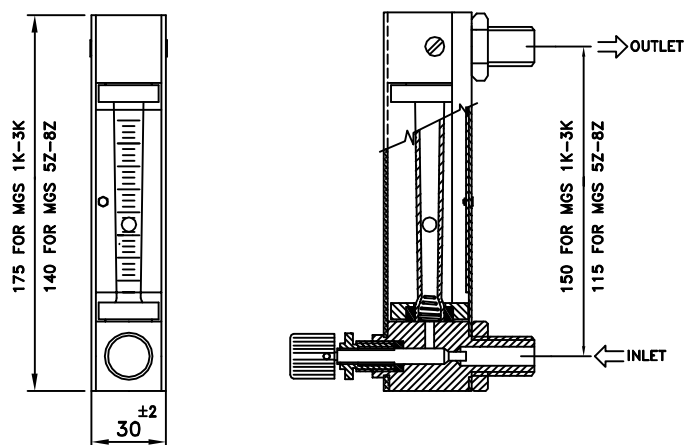
PERFORMANCE

Accuracy	: ±5% Full flow
Rangeability	: 10:1
Scale length	: 65mm Approx.
Max. Temp.	: Up to 80°C depending upon gland packing material
Max. Pressure	: 100 psig. (High pressure on request)
Connection	: 1/4" BSP (M) other on request
Direction of conn.	: Back to back (Rear)
Connections	: Threaded, Hose

MATERIALS

Measuring tube	: Borosilicate Glass
Float	: SS 316, PTFE, Hard Rubber, Aluminium, Glass, Titanium
End fittings	: AISI SS 316
Packing / Gaskets	: Neoprene, Silicon, Viton, PTFE only for MGS1-14
Cover	: Transparent Acrylic

MODEL : MGS 1K-3K & MGS 5Z - 8Z



All dimensions are in mm

Loflo Meter



Model Identification Chart

for EUREKA make Loflo Meter

Material Of Construction Stainless Steel Mild Steel PTFE Lined Brass Carbon Steel	SS MS T B CS									
Inlet Outlet Connection Direction Vertical (inlet Bottom, Outlet Top) Side Conn.* / Rear Conn. / Inlet Bottom, Outlet Side*		V R								
Type Of Connection Flange Screwed Hose			F S H							
Tube Size MGS-1 TO MGS-14								MGS-1 TO MGS-14		
Modification In Connection Standard Conn. Modified									(M)	
Accessories Flow Switch (proximity) High / Low Only Needle Valve Stainless Steel Frame Miniature Loflowmeter (MGS-1K-4E) (MGS-5 to 14)										FSP NV SF Z
TYPICAL MODEL NO. :	SS	R	S	MGS-5	M	FSPL				

- REMARKS**
1. Connection direction code R is not available in case of matl code T
 - 2*. Connection direction code R is applicable with AL / MS / SS frame only
 3. Type of connection code F is available with only AL / MS / SS frame material
 4. Type of connection code F is not applicable for MGS 1Z-4Z

Model No.	Rate of flow of Water at 20°C with SS 316 Float (LPH)	Rate of flow of Air at ambient Temp., 760 Torr Pressure								
		USGPM	316SS Float (NLPH)	SCFM	PTFE Float (NLPH)	SCFM	PVC Float (NLPH)	SCFM	Glass Float (NLPH)	SCFM
MGS-1K	1-10	0.001 - 0.01
MGS-2K	2.5 - 25	0.0016 - 0.016	
MGS-3K	3 - 30 **	0.0018 - 0.018	
MGS-4E	4 - 40	0.003 - 0.03	
MGS-5	0.6 - 6	0.003 - 0.03	26 - 260	0.016 - 0.16	9 - 90	0.006 - 0.06	6 - 60	0.0038 - 0.038	13.5 - 135	0.0085 - 0.085
MGS-6	1.0 - 10	0.004 - 0.04	36 - 360	0.023-0.23	16 - 160	0.010 - 0.10	10 - 100	0.006 - 0.06	19 - 190	0.012 - 0.12
MGS-7	1.6 - 16	0.007 - 0.07	55 - 550	0.035 - 0.35	25 - 250	0.016 - 0.16	19 - 190	0.012 - 0.12
MGS-8	2.5 - 25	0.01 - 0.10	80 - 800	0.050 - 0.50	40 - 400	0.025 - 0.25	26 - 260	0.016 - 0.16
MGS-9	4 - 40	0.018 - 0.18	110 - 1100	0.070 - 0.70	65 - 650	0.041 - 0.41	50 - 500*	0.032 - 0.32
MGS-10	6 - 60	0.026 - 0.26	185 - 1850	0.115 - 1.15	100 - 1000	0.063 - 0.63	80 - 800*	0.050 - 0.50
MGS-11	10 - 100	0.044 - 0.44	300 - 3000	0.190 - 1.90	170 - 1700	0.107 - 1.07	130 - 1300*	0.082 - 0.82
MGS-12	16 - 160	0.07 - 0.70	500 - 5000	0.310 - 3.10	360 - 3600	0.225 - 2.25	185 - 1850*	0.115 - 1.15
MGS-13	25-250	0.11-1.1	800 - 8000	0.5 - 5.00	570 - 5700	0.36 - 3.60
MGS-14	40 - 400	0.175 - 1.75	1200 - 12000	0.76 - 7.6	940 - 9400	0.6 - 6.00

** Ranges with Sapphire Float

* Ranges with Hollow Aluminum Float

Product Range Includes

- **ONLINE GLASS TUBE ROTAMETERS.LOFLOMETERS (PURGEMETERS).**
- **BYEPASS ROTAMETERS.**
- **METAL TUBE ROTAMETERS.**
- **METAL TUBE ROTAMETER WITH TRANSMITTERS (ELECTRICAL).**
- **ELECTROMAGNETIC FLOWMETERS**
- **DENSITY METERS.**
- **ORIFICE FLANGE ASSEMBLIES.**
- **INTEGRAL ORIFICE PLATE ASSEMBLIES**
- **EUREKONE FLOWMETERS**
- **ULTRASONIC FLOWMETERS**
- **BUBBLER SYSTEMS**
- **FLOW NOZZLE**
- **VENTURI**
- **EUBAR (AVERAGING PITOT TUBE)**
- **AEROFOIL**
- **VORTEX FLOW METER**
- **TURBINE FLOW METER**
- **LINE TECH MAKE THERMAL MASS FLOW METER / CONTROLLER**