

TOP VIEW

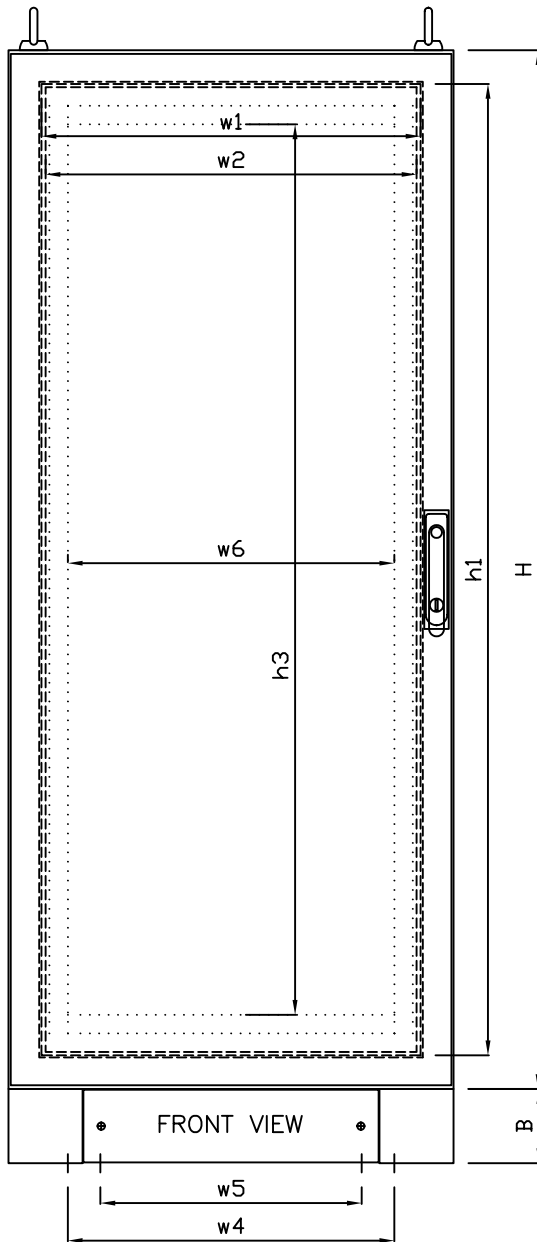
DIMENSIONS:

$W$  = Width of enclosure 500mm to 2000mm.  
 $w_1$  = Widthwise clearpass (W-89).  
 $w_2$  = C plate width (W-100).  
 $w_3$  = width of gland plate (W-182).  
 $w_4$  = Grouting hole CC widthwise Hidden(W-160).  
 $w_5$  = Grouting hole CC widthwise Open(W-310).  
 $w_6$  = Usable width on door for cutouts (W-160).

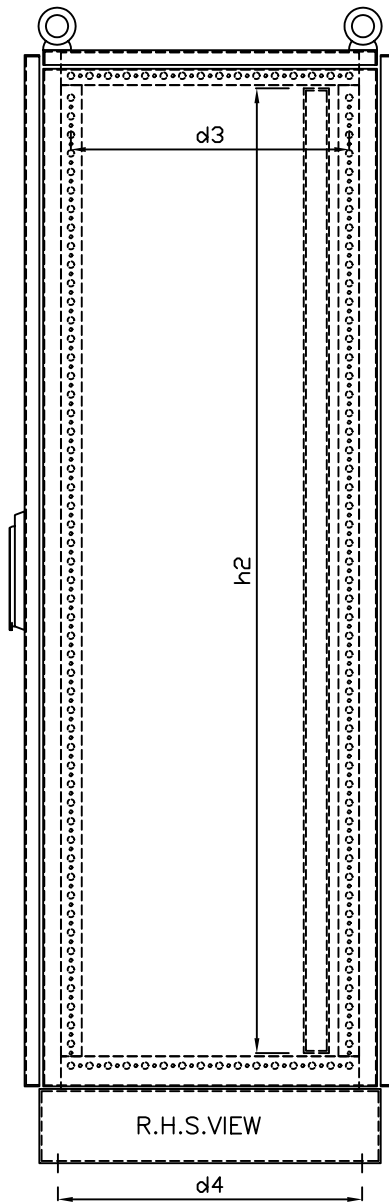
$D$  = Depth of the enclosure 400mm to 1000mm.  
 $d_1$  = Total bottom opening depthwise (D-98).  
 $d_2$  = C plate adjustment span (75 to (D-50)).  
 $d_3$  = Indexing holes CC depthwise (D-125).  
 $d_4$  = Grouting holes CC in depth (D-90).

$H$  = Height of the enclosure 1000mm to 2200mm.  
 $h_1$  = Heightwise clearpass (H-91).  
 $h_2$  = C plate height (H-100).  
 $h_3$  = Usable height on door for cutouts (H-200).

$B$  = Base (100mm/200mm).



FRONT VIEW



R.H.S.VIEW

DESCRIPTION: MODULAR STRUCT.	CUSTOMER:	DRWN: VBS	SHEET: 03 OF 08
DETAILS: INTERNAL DETAILS.	DWG.No: EE-MS-GA-0001.	CHKD: BSS	REV:
EXCEL ENCLOSURES, PUNE (excelenclosures@yahoo.co.in) 020-726 0048		APPRVD:	DATE: 11/05/03