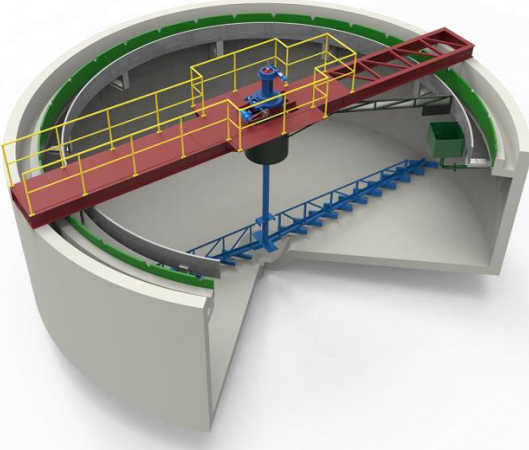
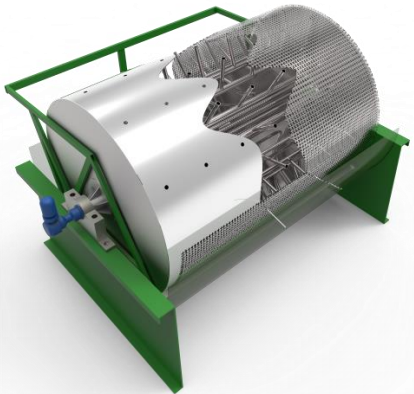
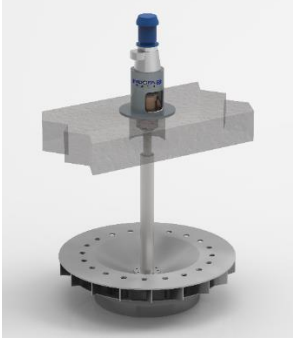
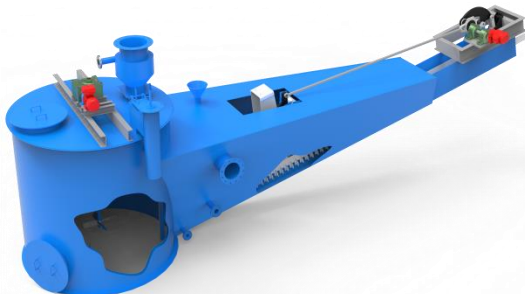




### PRODUCT LIST

Product Category	Code No.	Product Description
	S1	Clarifier
	S2	Thickener
	S3	Clariflocculator
	S4	HRSCC (High Rate Solid Contact Clarifier)
	S5	Degritting Mechanism / Detritor
	S6	Hydrocyclones
	S7	DeSiltor Mechanism / Bowl Classifier
	S8	Monorake Mechanism
	S9	Rake and screw classifier
	F1	Rotary Vacuum Drum Filter
	F2	Rotary Vacuum Disc Filter
	F3	Belt Press Filter
	F4	Pan Filter
	F5	Wedge Wire Screens
	F6	Trickling Filter Mechanism / Bio Tower / Bio Filter
	F7	Drum Washer / Brown Stock Washer / Bleach Washer
	M1	Aerators
	M2	Paddle Agitators
	M3	Blenders
	M4	Disperser/Homogenizer
	M5	Flocculators
	M6	Flash Mixers
	M7	Rotary Mixer
	C1	Slakers
	C2	Drum Slaker
	C3	Rake Classifier
	C4	Screw Classifier
	C5	Stationary Slaker
	C6	Table Feeder

Product Category		Code No.	Product Description
	Drive Heads	D1	Bridge Mounted Shaft Drives For Clarifier And Thickener
		D2	Pier Mounted Cage Drives For Clarifier And Thickener
		D3	Re-Circulation Drives For HRSCC
		D4	Mechanism Lifting Drives For Thickeners
		D5	Heavy Duty Drives Mixers For Agitators
		D6	Flocculator Drives For Central And Circulator Type
	OEM Spares	OEM	OEM Development Spares for Imported Equipments
	Job Order	JO	Job Order by Clients Drawing
	Services	Overhauling	
		Re-Engineering	
Retrofitting			

### PRODUCT APPLICATIONS IN VARIOUS INDUSTRIES

Water Treatment Plants WTP /Municipal / Industrial	S1	S2	S3	S4	S5	S6	S7	S8	S9	F5	M5	M6
	M7	D1	D2	D3	D4	D5	D6					
Sewage / Grey Water Treatment Plants	S1	S2	S5	S6	S7	S9	F1	F3	F5	F6	M1	M2
	M5	M6	M7	D1	D2	D3	D4	D5	D6			
Industrial Effluent / Waste Water Treatment Plants - ETP / WWTP	S1	S2	S3	S4	S5	S6	S7	S8	F1	F2	F3	F4
	F5	D1	D2	D3	D4	D5	D6	C1	C2	C3	C4	C5
	C6	M2										
Mineral Beneficiation Plants (Iron Ore / Copper / Zinc Rock Phosphate / Alumina Coal etc.	S1	S2	S6	S7	S8	S9	F1	F2	F4	D1	D2	D3
	D4	D5	D6	C1	C2	C3	C4	C5	C6	M2		
Milk Of Lime Plants / Causticizing / Re-causticizing	S1	S2	S6	S9	D1	D2	D3	D4	D5	D6	C1	C2
	C3	C4	C5	C6	M2							
Pulp And Paper Industry	S1	S2	S3	S4	S6	S7	S9	F1	F2	F4	M1	M2
	M5	M7	D1	D2	D3	D4	D5	D6	C1	C2	C3	C4
	C5	C6	M2	F7								
Paint Manufacturing Industries	M2	M3	M4	M7								
Lubricant Industries	M2	M3	M4	M7								