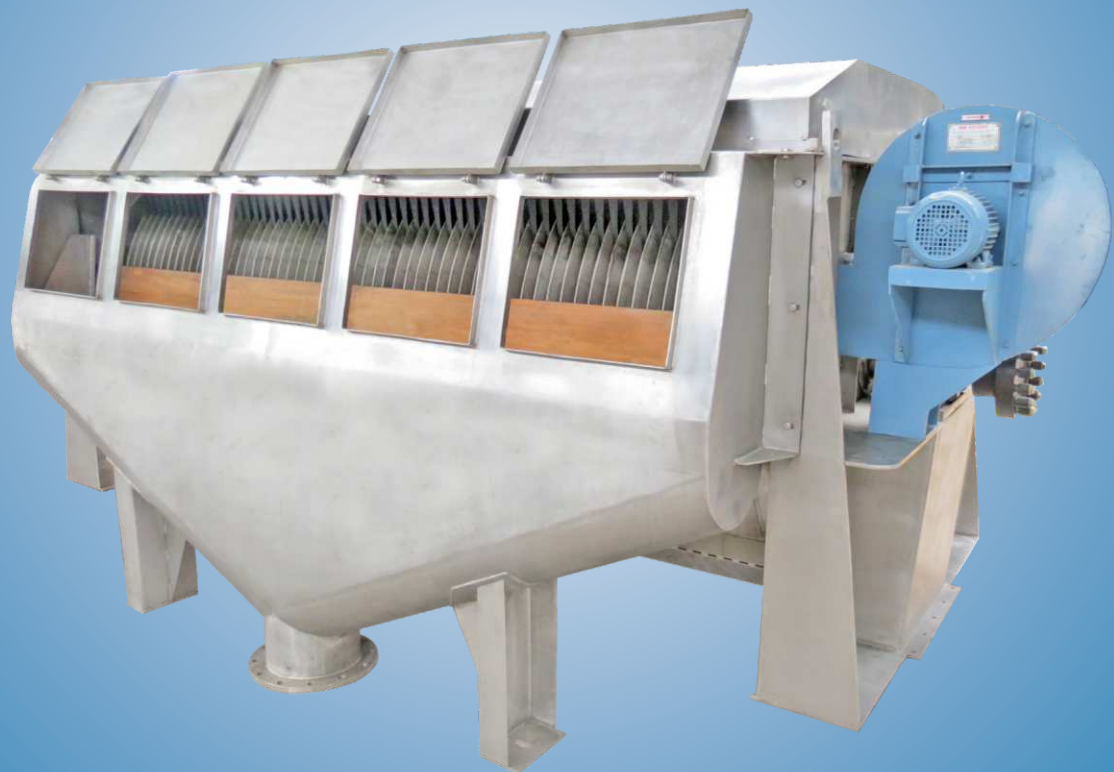


FOLDED THICKENER

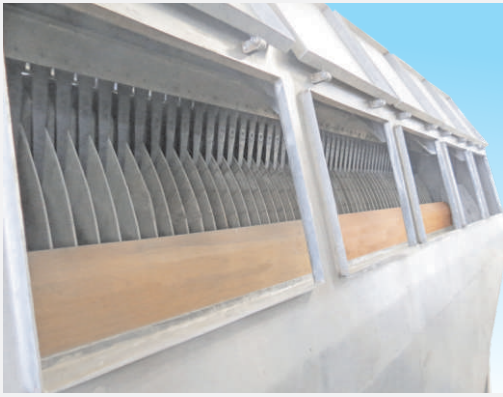
PARASON FOLDED THICKNER

- ◆ Thickening, Washing without vacuum.
- ◆ Compact, sturdy and operational friendly.
- ◆ Thickening of Pulp Stock, Sludge and other suspensions.
- ◆ Washing of Pulp stock.

LOW Space
Cost
Power
Maintenance



APPLICATION



As Thickener for:

- ◆ Recycle Fiber, Chemical and Mechanical pulp
- ◆ Effluent Sludge
- ◆ Broke
- ◆ Chemical Industry

As Washer for:

- ◆ Deinked Pulp
- ◆ Removal of Fillers and Fines from Recycled Fiber Pulp

The following relationships are applicable

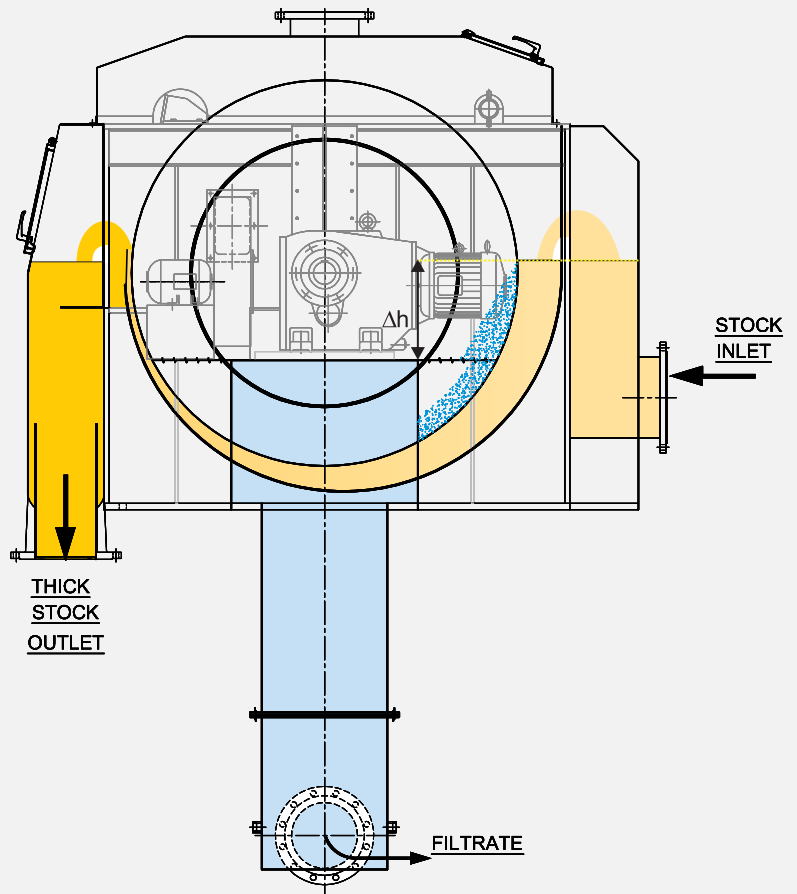
- Low freeness ▶ High throughput capacity
- High freeness ▶ Low throughput capacity
- High Feed Consistency ▶ High throughput capacity
- Low Feed Consistency ▶ Low throughput capacity

DESIGN AND SIZES	
PFT-1500	diameter 1500 mm upto 5000 mm Face Width
PFT-2000	diameter 2000 mm upto 5000 mm Face Width

WORKING PRINCIPLE

Parason Folded Thickener in compression to normal Thickeners provides a considerable larger filtration area. This can translate into smaller space requirement or higher capacity for specific floor space. The wire clothing is divided into sectors so that each section can be replaced without removing the drum/cylinder.

The stock suspension fed into cylinder through an inlet which evenly distributes the stock across the width of the thickener. The water passes through the wire mesh and the fiber mat is formed on the surface of the cylinder. Between the stock level in the vat and the surface of the drain water inside the cylinder, a hydrostatic pressure difference (Δh) is produced, which provides continuous filtration. The surface of the wire cloth cleaned by shower.



Function view of PARASON FOLDED THICKENER

- * Due to constant R & D specification are subject to change
- ** Capacity depends upon operating conditions



PARASON MACHINERY (I) PVT. LTD.

PARASONS HOUSE, 28, VENKATESH NAGAR, OPP. JALNA ROAD, AURANGABAD-431 001. (INDIA)
 TEL. : +91 (0) 240 - 2339234/35/36/37, FAX:+91 (0) 240 - 2332944
 CUSTOMER SERVICE NO. : +91 (0) 240 - 66 44 444, 6644200
 Web : www.parasonmachinery.com E-mail : info@parasonglobal.com
 Web : www.parasonglobal.com E-mail : parason@parasonglobal.com

Parason... Leader in stock preparation