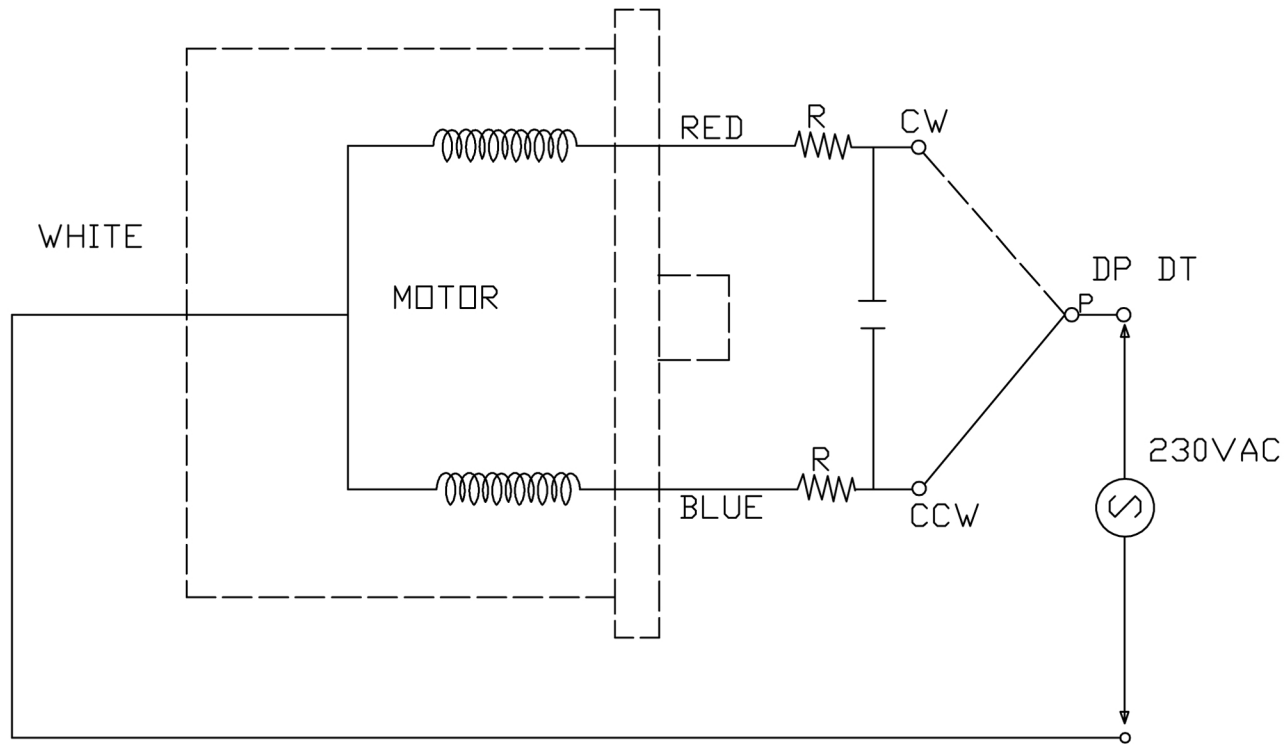

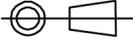


CONNECTION DIAGRAM FOR SYN 601 MOTOR WITH R.C. NETWORK



Srijan Design	Description : Connection Details	
	SRIJAN CONTROL DRIVES PUNE, INDIA.	Scale N.T.S
		
		Sheet