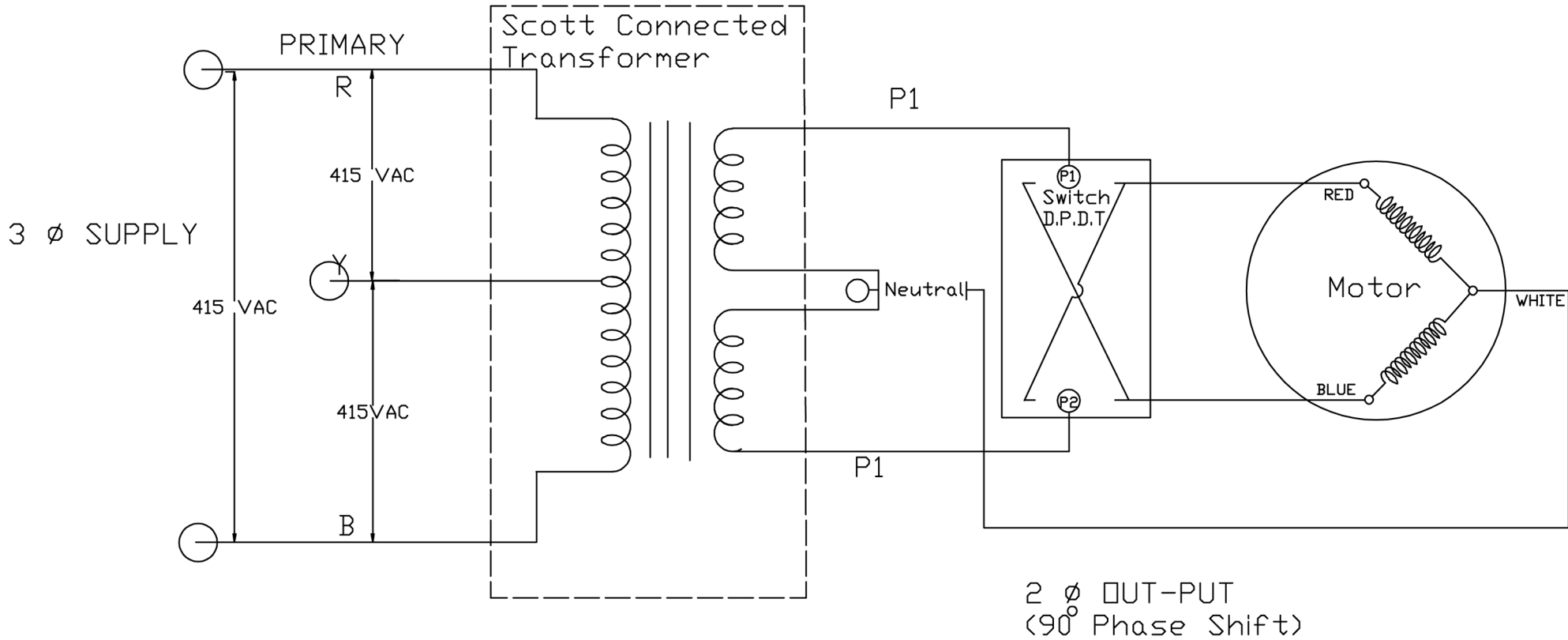

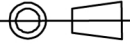


CONNECTION DIAGRAM FOR AC SYNCHRONOUS ON SCOTT TRANSFORMER



Srijan Design	Description : Connection Details	
	SRIJAN CONTROL DRIVES PUNE, INDIA.	Scale N.T.S
		 Sheet