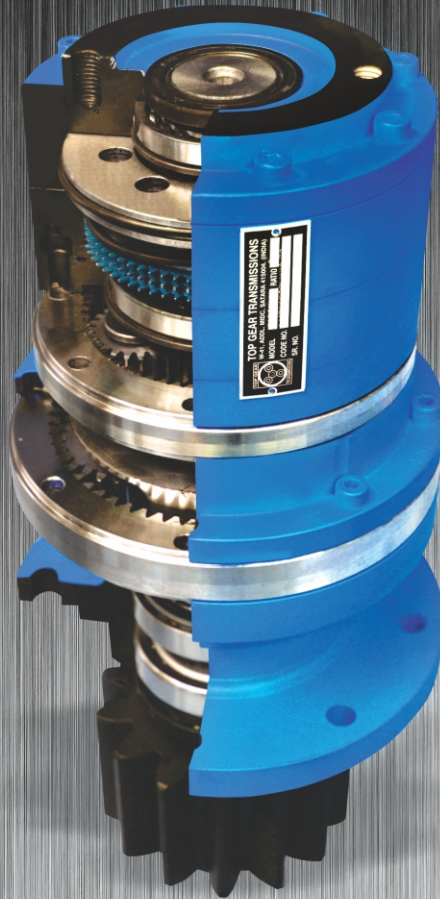


# PLANETARY SLEW DRIVE



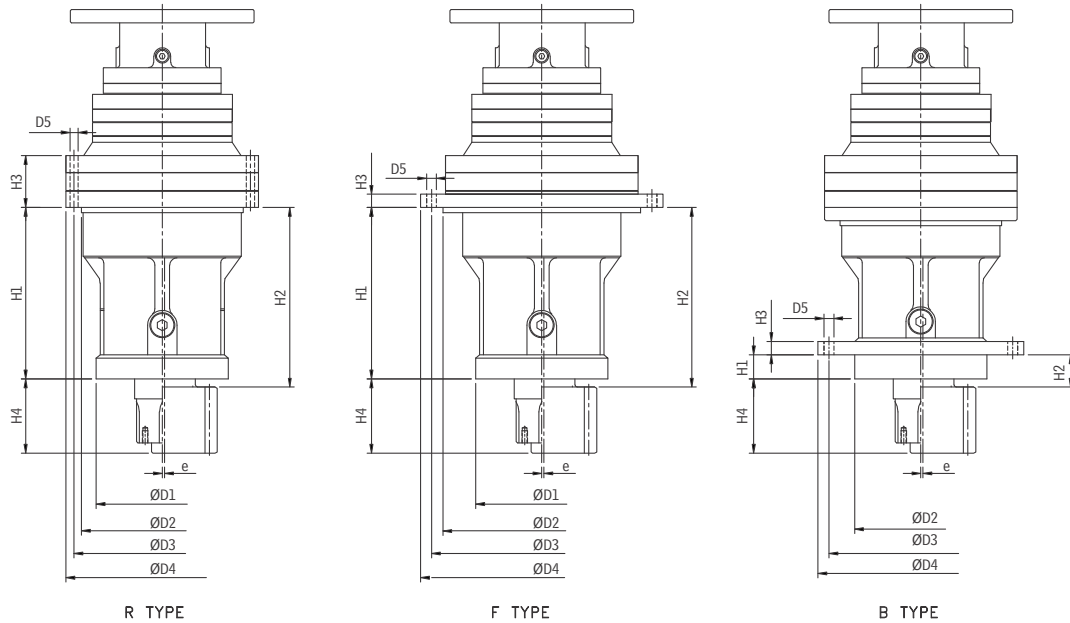
## PLANETARY SLEW DRIVE

Top Gear offers wide range of planetary slew drives with various mounting options as well as with varied range of ratios & torque. The range of slew gear boxes are hydraulically driven with inbuilt multidisc negative brake or electromagnetic brake with AC motor.

The applications like wind mill, off shore cranes, material handling equipments, reclaimers, loaders, stackers, excavators, tower cranes are covered by the entire range of slew drives.

The planetary slew drives are designed by considering heavy radial & axial load capacity. In order to get accurate meshing between pinion & slew bearing eccentric mounting can be provided considering profile correction of 0.5 to 0.7 for slew pinion.

The pinion is made up of high nickel chrome alloy steel with surface nitrided to achieve high strength.



Model	Rated Torque (Nm)	Static Torque (Nm)	Reduction Ratio	Pinion Teeth	Module	D1	D2	D3	D4	D5	e	H1	H2	H3	H4	Shaft Spline
SL 190F	1200-2000	2800	12.96-2197.26	14	6	140	200	225	245	Ø9 n° 8	1.5	150	170	16	80	DIN5480 48 x 2.5
SL 190B	1200-2000	2800	12.96-2197.26	14	6	-	140	190	210	Ø9 n° 8	1.5	20	40	16	80	DIN5480 48 x 2.5
SL 260R	2500-5000	7000	12.96-3164.063	14	8	180	210	235	262	Ø11 n° 12	2	230	246	74	96	DIN5480 70 x 3
SL 260F	2500-5000	7000	12.96-3164.063	14	8	180	270	300	324	Ø11 n° 12	2	230	246	22	96	DIN5480 70 x 3
SL 260B	2500-5000	7000	12.96-3164.063	14	8	-	180	250	280	Ø11 n° 12	2	49	55	22	96	DIN5480 70 x 3
SL 300R	7000-15000	20000	12.96-3164.063	12	12	200	245	270	300	Ø13 n° 12	2.5	250	272	85	112	DIN5480 80 x 3
SL 300F	7000-15000	20000	12.96-3164.063	12	12	200	320	350	380	Ø13 n° 12	2.5	250	272	25	112	DIN5480 80 x 3
SL 300B	7000-15000	20000	12.96-3164.063	12	12	-	220	320	350	Ø13 n° 12	2.5	35	57	25	112	DIN5480 80 x 3
SL 340R	15000-27000	40000	12.96-3164.063	11	16	230	285	310	340	Ø13 n° 12	2.5	270	285	112	135	DIN5480 90 x 3
SL 340F	15000-27000	40000	12.96-3164.063	11	16	230	350	380	420	Ø13 n° 12	2.5	270	285	25	135	DIN5480 90 x 3
SL 340B	15000-27000	40000	12.96-3164.063	11	16	-	250	350	380	Ø13 n° 12	2.5	50	65	25	135	DIN5480 90 x 3
SL 380R	20000-34000	55000	12.74-3290.62	12	16	240	300	345	380	Ø18 n° 12	2.5	290	315	128	145	DIN5480 110 x 3
SL 380F	20000-34000	55000	12.74-3290.62	12	16	240	385	440	480	Ø18 n° 12	2.5	290	315	28	145	DIN5480 110 x 3
SL 380B	20000-34000	55000	12.74-3290.62	12	16	-	280	390	430	Ø18 n° 12	2.5	55	80	28	145	DIN5480 110 x 3
SL 415R	25000-45000	75000	12.96-3164.063	14	16	270	340	380	415	Ø18 n° 12	2.5	320	350	140	170	DIN5480 120 x 5
SL 415F	25000-45000	75000	12.96-3164.063	14	16	270	430	480	520	Ø18 n° 12	2.5	320	350	30	170	DIN5480 120 x 5
SL 415B	25000-45000	75000	12.96-3164.063	14	16	-	300	430	470	Ø18 n° 12	2.5	60	90	30	170	DIN5480 120 x 5
SL 515F	45000-75000	120000	12.96-3164.063	16	16	320	540	600	650	Ø22 n° 12	5	420	470	34	190	DIN5480 150 x 5
SL 615F	62000-100000	160000	12.74-3290.62	18	20	420	580	650	710	Ø22 n° 12	5	590	620	40	190	DIN5480 160 x 5
SL 725F	10000-150000	250000	12.74-3290.62	18	22	450	730	800	850	Ø22 n° 12	5	680	740	42	250	DIN5480 200 x 5

All Dimension are in mm



W-41, Additional M.I.D.C., Satara - 415 004. Maharashtra (INDIA) Tel.: + 91 - 2162 - 240 493, 240 642 Fax : +91 - 2162 - 240 373

Email : sales@topgeartransmission.com | topgeartransmissions@yahoo.co.in | website : topgeartransmission.com

SALE OUTLETS :

Delhi • Ahmedabad • Baroda • Mumbai • Pune • Chennai • Vizag • Jamshedpur • Kolkata