

SHAFT MOUNTED GEAR BOX



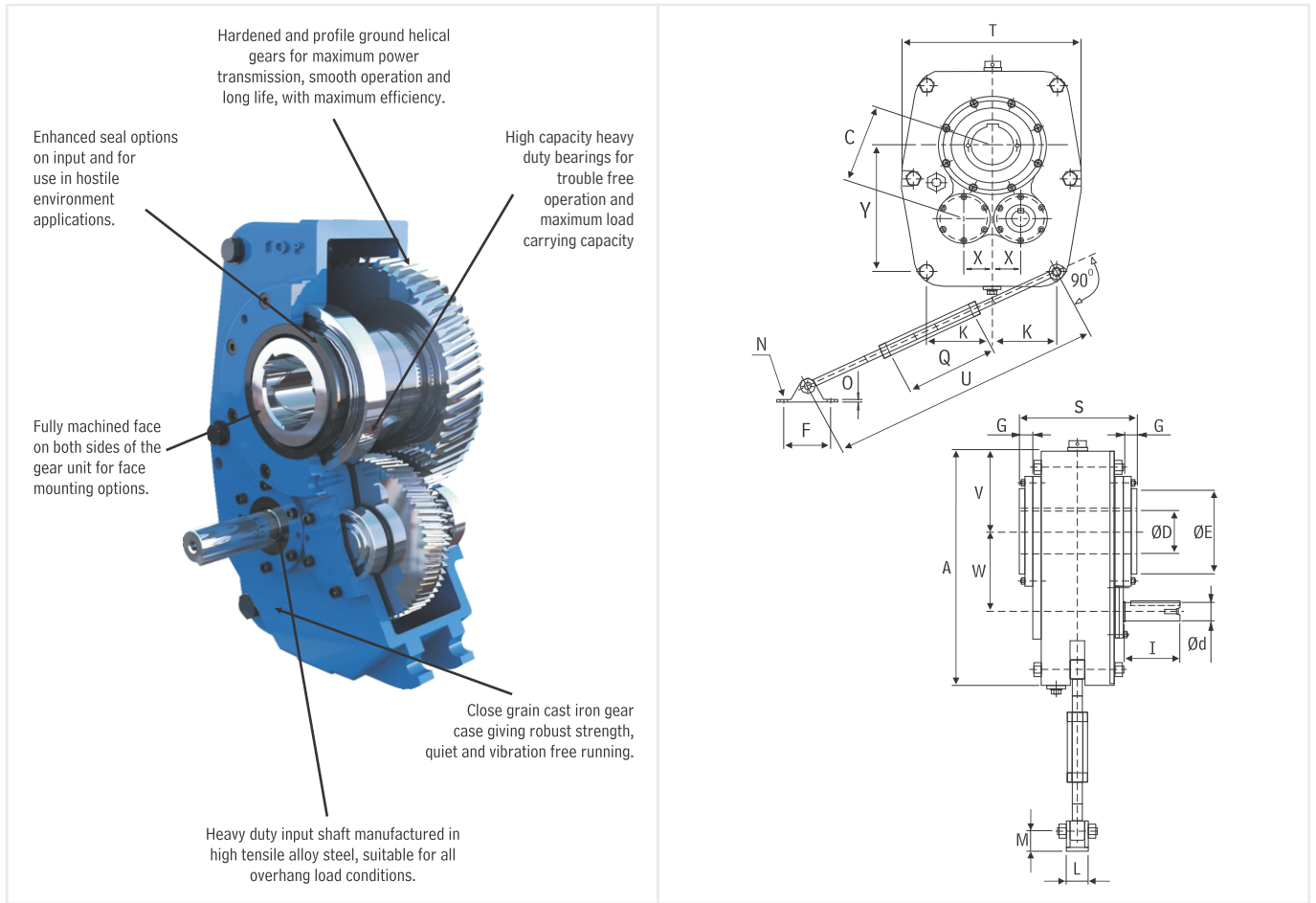
TOP GEAR
TRANSMISSIONS

www.topgeartransmission.com

Top Gear has introduced Shaft Mounted Series of products as TGSM series. The TGSM Drive is very convenient method of speed reduction & no foundations are necessary as it directly mounted on shaft.

A torque arm takes care of holding the drives & LH&RH threads take care of Belt tension on input shaft pulley. The gear boxes are offered in ratio 5:1,13:1,20:1,25:1, from 2HP to 150HP in 8 different models

The provision of Hold Back is available upon request



Model	Overall Dimensions																				Wt.(kg.)		Torque Nm	
	DF7	dj6	U	N	F	O	M	L	E	X	C	S	I	G	Y	T	V	W	K	A	RATIO	RATIO		
			Min	Max																	5	13,20,25		
TGSM080	30	19	450	600	11	65	6	20	28	80	25	79	138	63	15	131	190	86	75	55	230	16	17	500
TGSM095	40	22	450	600	11	65	6	20	28	90	31	95	145	72	17	156	225	105	90	60	275	22	23	800
TGSM115	50	25	550	700	13	75	6	24	34	100	37	116	155	77	17	188	265	122	110	76	335	32	34	1250
TGSM130	55	28	550	700	13	75	6	24	34	115	43	133	175	85	20	222	285	134	125	90	382	43	49	1800
TGSM150	65	32	600	750	18	100	8	36	36	130	50	150	195	90	20	242	325	148	141	100	420	56	61	3200
TGSM165	75	42	600	750	18	100	8	36	36	145	56	166	220	105	20	277	375	167	156	110	475	86	97	4600
TGSM200	85	48	600	750	18	121	15	50	70	170	62	200	250	116	26	330	444	200	189	150	555	140	152	7000
TGSM265	100	55	600	750	18	121	15	50	70	200	75	266	265	135	30	412	552	259	255	182	705	204	219	9700



W-41, Additional M.I.D.C., Satara - 415 004. Maharashtra (INDIA) Tel.: + 91 - 2162 - 240 493, 240 642 Fax : + 91 - 2162 - 240 373

Email : sales@topgeartransmission.com | topgeartransmissions@yahoo.co.in | website : topgeartransmission.com

SALE OUTLETS :

Delhi • Ahmedabad • Baroda • Mumbai • Pune • Chennai • Vizag • Jamshedpur • Kolkata