

# Valves



**TubeFit ENGINEERS**

Unit # 2 & 3, Swamini Industrial Estate II,  
Opp Varun Industries, Waliv, Vasai (East),  
Dist. Thane - 401 208, INDIA

Tel: +91-250-2453813 / 2453814 / 6453429

Fax: +91-250-2453651

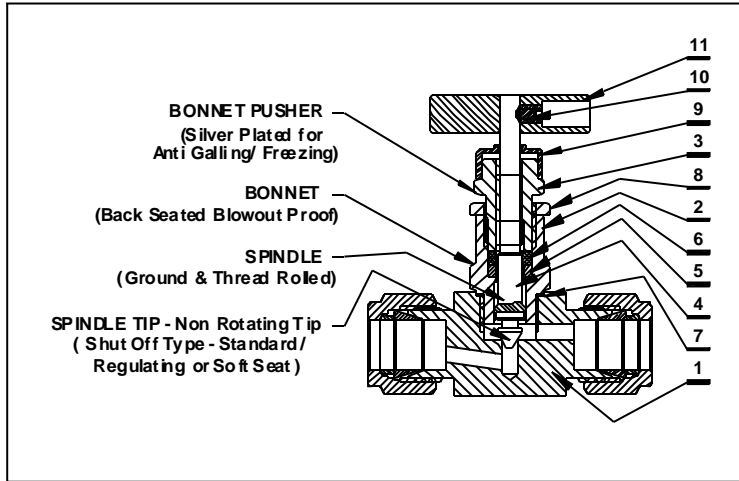
Email : sales@tubefiteng.com

Website: <http://www.tubefiteng.com>



## NEEDLE VALVE

### BAR STOCK NEEDLE VALVE - (Model - BSNV)



S.NO.	DESCRIPTION	QTY.	MATERIAL
1	BODY	1	SS 316
2	BONNET	1	SS 316
3	BONNET PUSHER	1	SS 316
4	STEM	1	SS 316
5	WASHER	1	SS 316
6	PACKING	1	PTFE
7	BONNET SEAL	1	PTFE
8	CHECK NUT	1	SS 316
9	DUST CAP	1	LDPE
10	GRUB SCREW	1	CS
11	HANDLE	1	SS 304

## FEATURES

### - BAR STOCK NEEDLE VALVE

- Screwed bonnet design.
- Bonnet : Back seated blow out proof.
- Spindle : Ground and thread rolled.
- Spindle tip : Non rotating tip shut-off type-Stellited, Regulating-Stellited and soft seated
- Bonnet pusher : Silver plated for anti-galling freezing for increased stem cycle life.
- Dust cap protects stem threads from external contamination.
- Leak tight seal with low operating torque.
- Heat code traceability

### - TECHNICAL SPECIFICATIONS

- Size : 1/8" to 1"
- End Connection : NPT, BSPT, Socket weld, Butt weld, Tube fitting.
- Pattern : Straight, angle and cross.
- Working pressure : 6000 Psi (413Bar)
- Temperature Rating : PTFE 450 Deg F (232 Deg C)  
Grafoil 700 Deg F (371 Deg C)
- Material of construction : SS 316, SS 304, CS, F11  
Hastelloy, Monel
- Optional Sour Gas service valves are available confirming to NACE Std. MR - 01 - 75
- Stem packing : PTFE, Grafoil.
- Orifice : Dia 4.7

- Panel mounting on request.
- All valves are 100% Factory tested prior to shipment.

### - APPLICATION

- Refineries, liquid petroleum gas processing plant, petro-chemical plants, systems difficult to shut off due to solid contents dust, rust, dirt etc.

### - TESTING

- Pneumatic Seat test is performed at 1/4 of working pressure.
- Hydrostatic shell test is performed at 1.5 times the working pressure.
- Optional test are available upon request.

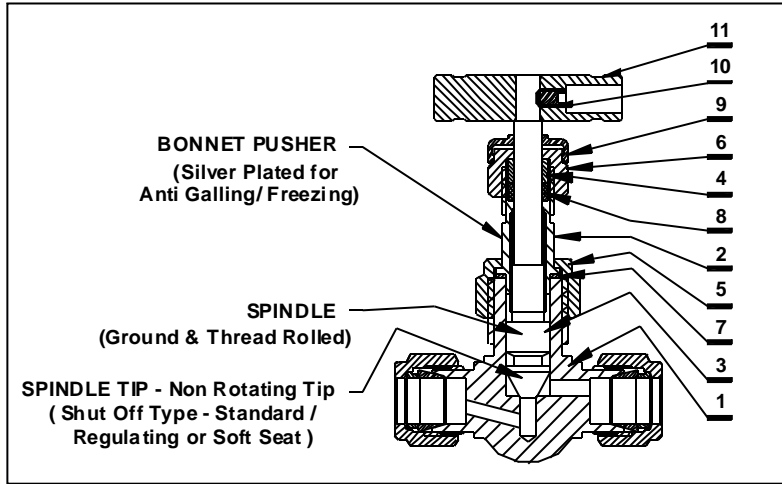
### - LUBRICATION

- Dye molly sulphide.



## NEEDLE VALVE

FORGED NEEDLE VALVE - (Model - FNV)



S.NO.	DESCRIPTION	QTY.	MATERIAL
1	BODY	1	SS 316
2	BONNET PUSHER	1	SS 316
3	STEM	1	SS 316
4	GLAND	1	SS 316
5	BODY NUT	1	SS 316
6	GLAND NUT	1	SS 316
7	GASKET	1	PTFE
8	PACKING	1	PTFE
9	DUST CAP	1	LDPE
10	GRUB SCREW	1	CS
11	HANDLE	1	SS 304

### FEATURES

#### - FORGED NEEDLE VALVE

- Integral bonnet design.
- Bonnet : Back seated blow out proof.
- Packing nut design permits packing adjustment in open or close position.
- Spindle : Ground and thread rolled.
- Spindle tip : Non rotating tip shut-off type-Stellited, Regulating-Stellited and soft seated
- Bonnet pusher : Silver plated for anti-galling freezing for increased stem cycle life.
- Leak tight seal with low operating torque.
- Heat code traceability

#### - TECHNICAL SPECIFICATIONS

- Size : 1/8" to 1"
- End Connection : NPT, BSPT, Socket weld, Butt weld, Tube fitting.
- Pattern : Straight
- Working pressure : 6000 Psi (413Bar)
- Temperature Rating : PTFE 450 Deg F (232 Deg C)  
Grafoil 700 Deg F (371 Deg C)
- Material of construction : SS 316, SS 304, CS, F11
- Optional Sour Gas service valves are available confirming to NACE Std. MR - 01 - 75
- Stem packing : PTFE, Grafoil.

- Orifice : Dia 4.7
- Panel mounting on request.
- All valves are 100% Factory tested prior to shipment.

#### - APPLICATION

- Refineries, liquid petroleum gas processing plant, petro-chemical plants, systems difficult to shut off due to solid contents dust, rust, dirt etc.

#### - TESTING

- Pneumatic Seat test is performed at 1/4 of working pressure.
- Hydrostatic shell test is performed at 1.5 times the working pressure.
- Optional test are available upon request.

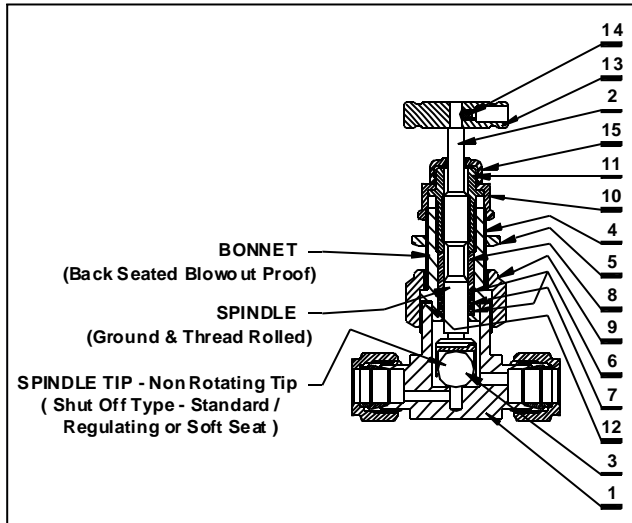
#### - LUBRICATION

- Dye molly sulphide.



## NEEDLE VALVE

### HIGH PRESSURE NEEDLE VALVE - (Model - HPNV)



## FEATURES

### - HIGH PRESSURE NEEDLE VALVE

- Union bonnet design.
- Packing bolt design permits packing adjustment in open or close position.
- Union bonnet design prevents accidental valve disassembly.
- Union bonnet : Back seated blow out proof.
- Spindle : Ground and thread rolled.
- Spindle tip : Non rotating tip shut-off type-Stellited, Regulating-Stellited and soft seated
- Packing bolt : Silver plated for anti-galling freezing for increased stem cycle life.
- Dust cap protects stem threads from external contamination.
- Leak tight seal with low operating torque.
- Heat code traceability

### - TECHNICAL SPECIFICATIONS

- Size : 1/8" to 1"
- End Connection : NPT, BSPT, Socket weld, Butt weld, Tube fitting.
- Pattern : Straight
- Working pressure : 10,000 Psi (700 Bar)
- Temperature Rating : PTFE 450 Deg F (232 Deg C)  
Grafoil 700 Deg F (371 Deg C)
- Material of construction : SS 316, SS 304, CS, F11, Hastelloy, Monel.
- Optional Sour Gas service valves are available conforming to NACE Std. MR - 01 - 75
- Stem packing : PTFE, Grafoil.

S.NO.	DESCRIPTION	QTY.	MATERIAL
1	BODY	1	SS 316
2	STEM	1	SS 316
3	BALL TIP (Chrome plated)	1	SS 316
4	BONNET	1	SS 316
5	PANEL NUT	1	SS 316
6	PACKING SUPPORT	2	GLASS FILLED PTFE
7	PACKING	4	PTFE/GRAFOIL
8	GLANDBUSH	1	SS 316
9	UNION NUT	1	SS 316
10	LOCK NUT	1	SS 316
11	PACKING BOLT	1	SS 416 - NICKEL CADMIUM PLATED
12	BONNET SEAL	1	PTFE
13	GRUB SCREW	1	SS
14	HANDLE	1	SS 304
15	DUST CAP	1	LDPE

- Orifice : Dia 4.7
- Panel mounting on body bonnet.
- All valves are 100% Factory tested prior to shipment.

### - APPLICATION

- Refineries, liquid petroleum gas processing plant, petro-chemical plants, systems difficult to shut off due to solid contents dust, rust, dirt etc.

### - TESTING

- Pneumatic Seat test is performed at 1/4 of working pressure.
- Hydrostatic shell test is performed at 1.5 times the working pressure.
- Optional test are available upon request.

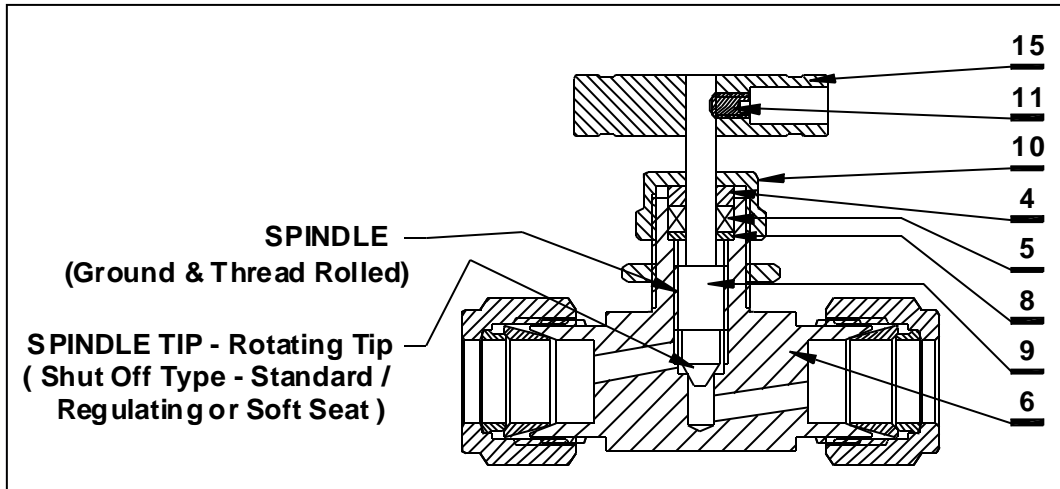
### - LUBRICATION

- Dye molly sulphide.



## NEEDLE VALVE

### BRASS NEEDLE VALVE - (Model - BNV)



S.NO.	DESCRIPTION	QTY.	MATERIAL
1	BODY	1	BRASS (IS - 319)
2	STEM	1	SS 316
3	WASHER	1	SS 316
4	PACKING	1	PTFE
5	GLAND	1	SS 316
6	GLAND NUT	1	BRASS
7	GRUB SCREW	1	SS
8	HANDLE	1	SS 304

### FEATURES

#### - BRASS NEEDLE VALVE

- Integral bonnet design.
- Spindle : Ground and thread rolled.
- Spindle tip : Non rotating tip shut-off type-Stellited, Regulating-Stellited and soft seated
- Leak tight seal with low operating torque.
- Heat code traceability

#### - TECHNICAL SPECIFICATIONS

- Size : 1/8" to 1"
- End Connection : NPT, BSPT, Socket weld, Butt weld, Tube fitting.
- Pattern : Straight
- Working pressure : 3000 Psi (200 Bar)
- Temperature Rating : PTFE 450 Deg F (232 Deg C)  
Grafoil 700 Deg F (371 Deg C)
- Material of construction : Brass
- Optional Sour Gas service valves are available confirming to NACE Std. MR - 01 - 75
- Stem packing : PTFE
- Orifice : Dia 4.7
- Panel mounting on body bonnet.
- All valves are 100% Factory tested prior to shipment.

#### - APPLICATION

- Refineries, liquid petroleum gas processing plant, petro-chemical plants, systems difficult to shut off due to solid contents dust, rust, dirt etc.

#### - TESTING

- Pneumatic Seat test is performed at 1/4 of working pressure.
- Hydrostatic shell test is performed at 1.5 times the working pressure.
- Optional test are available upon request.

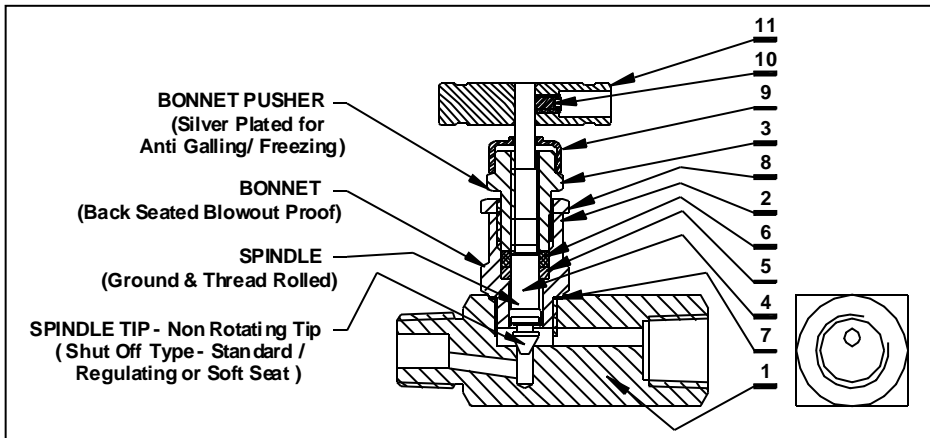
#### - LUBRICATION

- Dye molly sulphide.



## GAUGE VALVE

### GAUGE SCREWED BONNET NEEDLE VALVE (Model-GSNV1)



S.NO.	DESCRIPTION	QTY.	MATERIAL
1	BODY	1	SS 316
2	BONNET	1	SS 316
3	BONNET PUSHER	1	SS 316
4	STEM	1	SS 316
5	WASHER	1	SS 316
6	PACKING	1	PTFE
7	BONNET SEAL	1	PTFE
8	CHECK NUT	1	SS 316
9	DUST CAP	1	LDPE
10	GRUB SCREW	1	CS
11	HANDLE	1	SS 304

## FEATURES

### - GAUGE SCREWED BONNET NEEDLE VALVE

- Screwed bonnet design.
- Bonnet : Back seated blow out proof.
- Spindle : Ground and thread rolled.
- Spindle tip : Non rotating tip shut-off type-Stellited, Regulating-Stellited and soft seated
- Bonnet pusher : Silver plated for anti-galling freezing for increased stem cycle life.
- Dust cap protects stem threads from external contamination.
- Leak tight seal with low operating torque.
- Heat code traceability

### - TECHNICAL SPECIFICATIONS

- Size : 1/2" F x 1/2" F  
1/2" M x 1/2" F  
3/4" M x 1/2" F  
3/4" F x 3/4" F
- End Connection : NPT, BSPT, BSP
- Working pressure : 6000 Psi (413Bar)
- Temperature Rating : PTFE 450 Deg F (232 Deg C)  
Grafoil 700 Deg F (371 Deg C)
- Material of construction : SS 316, SS 304, CS, F11  
Hastelloy, Monel
- Optional Sour Gas service valves are available confirming to NACE Std. MR - 01 - 75
- Stem packing : PTFE, Grafoil.
- Orifice : Dia 4.7

- Panel mounting on request.
- All valves are 100% Factory tested prior to shipment.

### - APPLICATION

- Pressure switches, gauges & differential pressure pressure transmitters suitable for block & bleed assemblies to test pressure source required in sampling line or plug valve.
- Refineries, liquid petroleum gas processing plant, petro-chemical plants, systems difficult to shut of due to solid contents dust, rust, dirt etc.

### - TESTING

- Pneumatic Seat test is performed at 1/4 of working pressure.
- Hydrostatic shell test is performed at 1.5 times the working pressure.
- Optional test are available upon request.

### - LUBRICATION

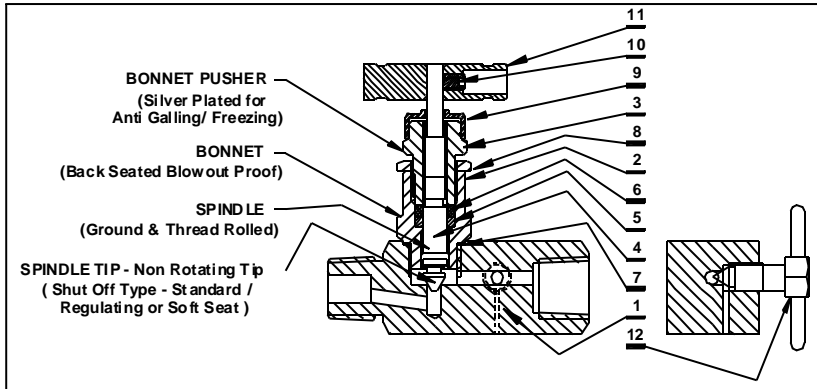
- Dye molly sulphide.



## GAUGE VALVE

### GAUGE SCREWED BONNET NEEDLE VALVE (Model-GSNV2)

WITH BLEED PLUG (STRAIGHT & ANGLE PATTERN)



S.NO.	DESCRIPTION	QTY.	MATERIAL
1	BODY	1	SS 316
2	BONNET	1	SS 316
3	BONNET PUSHER	1	SS 316
4	STEM	1	SS 316
5	WASHER	1	SS 316
6	PACKING	1	PTFE
7	BONNET SEAL	1	PTFE
8	CHECK NUT	1	SS 316
9	DUST CAP	1	LDPE
10	GRUB SCREW	1	CS
11	HANDLE	1	SS 304
12	BLEED PLUG	1	SS 316

## FEATURES

### - GAUGE SCREWED BONNET NEEDLE VALVE

- Screwed bonnet design.
- Bonnet : Back seated blow out proof.
- Spindle : Ground and thread rolled.
- Spindle tip : Non rotating tip shut-off type-Stellited, Regulating-Stellited and soft seated
- Bonnet pusher : Silver plated for anti-galling freezing for increased stem cycle life.
- Dust cap protects stem threads from external contamination.
- Leak tight seal with low operating torque.
- Heat code traceability

### - TECHNICAL SPECIFICATIONS

- Size : 1/2"F x 1/2"F  
1/2"M x 1/2"F  
3/4"M x 1/2"F  
3/4"F x 3/4"F
- End Connection : NPT, BSPT, BSP
- Working pressure : 6000 Psi (413Bar)
- Temperature Rating : PTFE 450 Deg F (232 Deg C)  
Grafoil 700 Deg F (371 Deg C)
- Material of construction : SS 316, SS 304, CS, F11  
Hastelloy, Monel
- Optional Sour Gas service valves are available confirming to NACE Std. MR - 01 - 75
- Stem packing : PTFE, Grafoil.
- Orifice : Dia 4.7

- Panel mounting on request.

- All valves are 100% Factory tested prior to shipment.

### - APPLICATION

- Pressure switches, gauges & differential pressure pressure transmitters suitable for block & bleed assemblies to test pressure source required in sampling line or plug valve.
- Refineries, liquid petroleum gas processing plant, petro-chemical plants, systems difficult to shut of due to solid contents dust, rust, dirt etc.

### - TESTING

- Pneumatic Seat test is performed at 1/4 of working pressure.
- Hydrostatic shell test is performed at 1.5 times the working pressure.
- Optional test are available upon request.

### - LUBRICATION

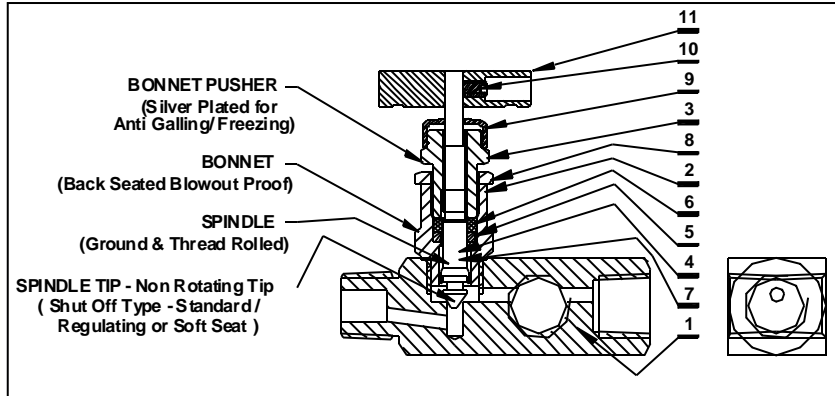
- Dye molly sulphide.



## GAUGE VALVE

### GAUGE ROOT SCREWED BONNET NEEDLE VALVE (Model-GRSNV1)

WITH ONE SIDE DRAIN & SECOND SIDE CALIBRATION



S.NO.	DESCRIPTION	QTY.	MATERIAL
1	BODY	1	SS 316
2	BONNET	1	SS 316
3	BONNET PUSHER	1	SS 316
4	STEM	1	SS 316
5	WASHER	1	SS 316
6	PACKING	1	PTFE
7	BONNET SEAL	1	PTFE
8	CHECK NUT	1	SS 316
9	DUST CAP	1	LDPE
10	GRUB SCREW	1	CS
11	HANDLE	1	SS 304

## FEATURES

### - GAUGE ROOT SCREWED BONNET NEEDLE VALVE

- Screwed bonnet design.
- Bonnet : Back seated blow out proof.
- Spindle : Ground and thread rolled.
- Spindle tip : Non rotating tip shut-off type-Stellited, Regulating-Stellited and soft seated
- Bonnet pusher : Silver plated for anti-galling freezing for increased stem cycle life.
- Dust cap protects stem threads from external contamination.
- Leak tight seal with low operating torque.
- Heat code traceability

### - TECHNICAL SPECIFICATIONS

- Size : 1/2"F x 1/2"F  
1/2"M x 1/2"F  
3/4"M x 1/2"F  
3/4"F x 3/4"F
- End Connection : NPT, BSPT, BSP
- Working pressure : 6000 Psi (413Bar)
- Temperature Rating : PTFE 450 Deg F (232 Deg C)  
Grafoil 700 Deg F (371 Deg C)
- Material of construction : SS 316, SS 304, CS, F11  
Hastelloy, Monel
- Optional Sour Gas service valves are available confirming to NACE Std. MR - 01 - 75
- Stem packing : PTFE, Grafoil.
- Orifice : Dia 4.7

- Panel mounting on request.
- All valves are 100% Factory tested prior to shipment.

### - APPLICATION

- Pressure switches, gauges & differential pressure pressure transmitters suitable for block & bleed assemblies to test pressure source required in sampling line or plug valve.
- Refineries, liquid petroleum gas processing plant, petro-chemical plants, systems difficult to shut of due to solid contents dust, rust, dirt etc.

### - TESTING

- Pneumatic Seat test is performed at 1/4 of working pressure.
- Hydrostatic shell test is performed at 1.5 times the working pressure.
- Optional test are available upon request.

### - LUBRICATION

- Dye molly sulphide.

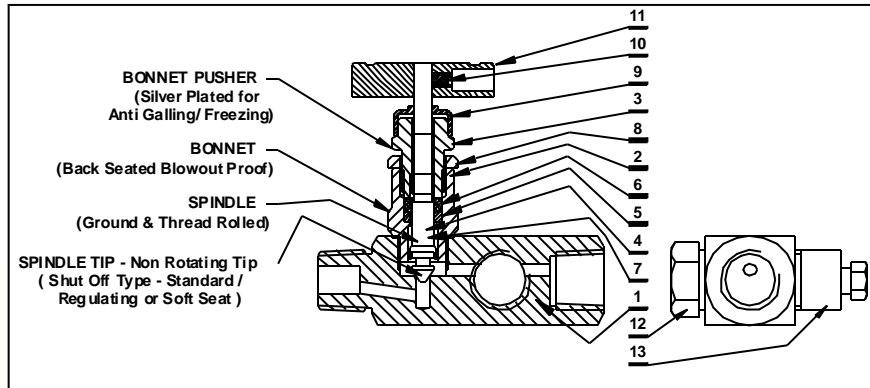




## GAUGE VALVE

### GAUGE ROOT SCREWED BONNET NEEDLE VALVE (Model-GRSNV2)

WITH BLEED PLUG & HEX HEAD BLEED VALVE



S.NO.	DESCRIPTION	QTY.	MATERIAL
1	BODY	1	SS 316
2	BONNET	1	SS 316
3	BONNET PUSHER	1	SS 316
4	STEM	1	SS 316
5	WASHER	1	SS 316
6	PACKING	1	PTFE
7	BONNET SEAL	1	PTFE
8	CHECK NUT	1	SS 316
9	DUST CAP	1	LDPE
10	GRUB SCREW	1	CS
11	HANDLE	1	SS 304
12	BLEED PLUG	1	SS 316
13	HEX HEAD BLEED VALVE	1	SS 316

## FEATURES

### - GAUGE ROOT SCREWED BONNET NEEDLE VALVE

- Screwed bonnet design.
- Bonnet : Back seated blow out proof.
- Spindle : Ground and thread rolled.
- Spindle tip : Non rotating tip shut-off type-Stellited, Regulating-Stellited and soft seated
- Bonnet pusher : Silver plated for anti-galling freezing for increased stem cycle life.
- Dust cap protects stem threads from external contamination.
- Leak tight seal with low operating torque.
- Heat code traceability

### - TECHNICAL SPECIFICATIONS

- Size : 1/2"F x 1/2"F  
1/2"M x 1/2"F  
3/4"M x 1/2"F  
3/4"F x 3/4"F
- End Connection : NPT, BSPT, BSP
- Working pressure : 6000 Psi (413Bar)
- Temperature Rating : PTFE 450 Deg F (232 Deg C)  
Grafoil 700 Deg F (371 Deg C)
- Material of construction : SS 316, SS 304, CS, F11  
Hastelloy, Monel
- Optional Sour Gas service valves are available confirming to NACE Std. MR - 01 - 75
- Stem packing : PTFE, Grafoil.
- Orifice : Dia 4.7

- Panel mounting on request.

- All valves are 100% Factory tested prior to shipment.

### - APPLICATION

- Pressure switches, gauges & differential pressure pressure transmitters suitable for block & bleed assemblies to test pressure source required in sampling line or plug valve.
- Refineries, liquid petroleum gas processing plant, petro-chemical plants, systems difficult to shut off due to solid contents dust, rust, dirt etc.

### - TESTING

- Pneumatic Seat test is performed at 1/4 of working pressure.
- Hydrostatic shell test is performed at 1.5 times the working pressure.
- Optional test are available upon request.

### - LUBRICATION

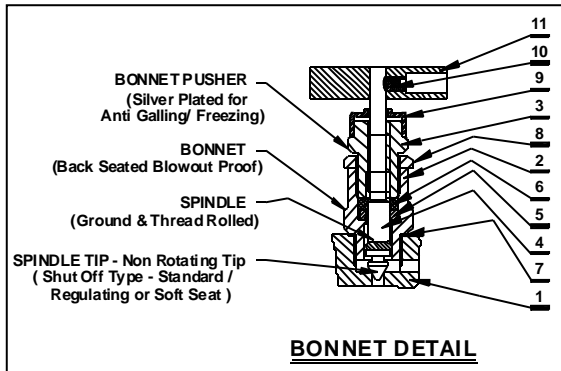
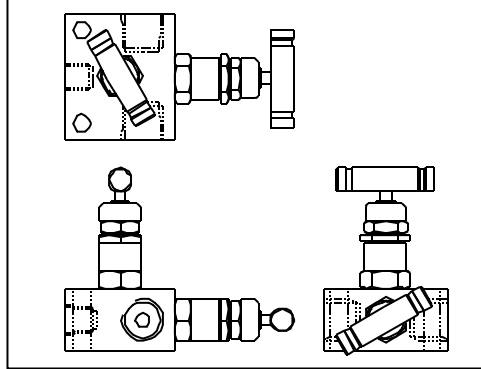
- Dye molly sulphide.



## MANIFOLD VALVE

### 2 VALVE MANIFOLD (Model-2VMS)

2 VALVE MANIFOLD - STRAIGHT TYPE (PIPE TO PIPE CONN.)



S.NO.	DESCRIPTION	QTY.	MATERIAL
1	BODY	1	SS 316
2	BONNET	1	SS 316
3	BONNET PUSHER	1	SS 316
4	STEM	1	SS 316
5	WASHER	1	SS 316
6	PACKING	1	PTFE
7	BONNET SEAL	1	PTFE
8	CHECK NUT	1	SS 316
9	DUST CAP	1	LDPE
10	GRUB SCREW	1	CS
11	HANDLE	1	SS 304

## FEATURES

### - 2 VALVE MANIFOLD - STRAIGHT TYPE

- 2 valve manifolds are designed for remote or separate mounting. Connecting from process side 1/2" NPT(F) and Instrument side 1/2" NPT(F) Connecting system impulse lines and transmitters, having simple two valves configuration which allows for easy block or Isolate, Bleed or Vent valve calibration of a static pressure transmitter or gauge.
- Bleed/vent connection with s.s. plug will be provided on request.
- Approximate weight : 0.95 Kg (2.1 Lbs.).
- Heat code traceability

### - BONNET ASSEMBLY

- Screwed bonnet design.
- Bonnet-back seated blow out proof.
- Spindle - Ground and thread rolled.
- Spindle tip-Non rotating tip shut off type
  - stellited, Regulating-stellited and soft seated.
- Bonnet pusher - silver plated for anti galling freezing for increased stem cycle life.
- Dust cap protects stem threads from externals contamination.
- Leak tight seal with low operating torque.

### - TECHNICAL SPECIFICATIONS

- Size : 1/4", 1/2"
- End connection : NPT,BSPT,Socket weld.
- Working Pressure : 6000 Psi (413 Bar)

- Temperature Rating : PTFE 450 Deg. F (232 Deg.C)  
Grafoil 700 Deg. F (371 Deg. C)
- Material of construction : SS 316, SS 304, Monel,C.S.
- Optional Sour Gas service valves are available confirming to NACE Std. MR - 01 - 75
- Stem packing : PTFE, Grafoil.
- Orifice : Dia. 4.7
- All valves are 100% Factory tested prior to shipment.

### - APPLICATION

- Refineries, liquid petroleum gas processing plant, petro-chemical plants, systems difficult to shur off due to solid contents dust, rust, dirt etc.

### - MANIFOLD SELECTION INFORMATION DATA

- Pressure & temperature ratings are selected from ANSI B 16.34 for standard class 2500

### - TESTING

- Pneumatic Seat test is performed at 1/4 of working pressure.
- Hydrostatic shell test is performed at 1.5 times the working pressure.
- Optional test are available upon request.

### - LUBRICATION

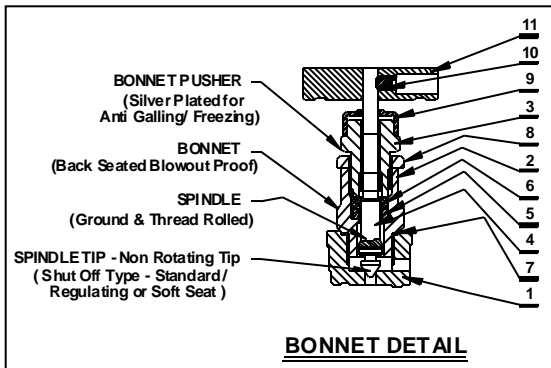
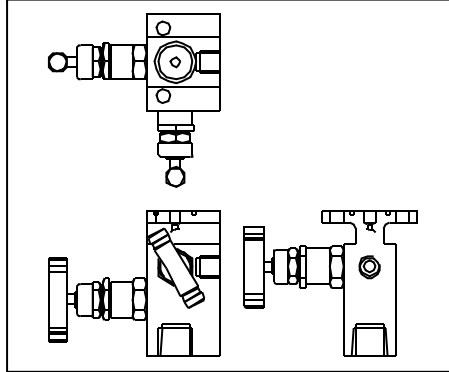
- Dye molly sulphide



## MANIFOLD VALVE

### 2 VALVE MANIFOLD (Model-2VMT)

2 VALVE MANIFOLD - TEE TYPE (PIPE TO FLANGE CONN.)



S.NO.	DESCRIPTION	QTY.	MATERIAL
1	BODY	1	SS 316
2	BONNET	1	SS 316
3	BONNET PUSHER	1	SS 316
4	STEM	1	SS 316
5	WASHER	1	SS 316
6	PACKING	1	PTFE
7	BONNET SEAL	1	PTFE
8	CHECK NUT	1	SS 316
9	DUST CAP	1	LDPE
10	GRUB SCREW	1	CS
11	HANDLE	1	SS 304

## FEATURES

### - 2 VALVE MANIFOLD - TEE TYPE

- 2 Way valve manifolds are designed for direct mounting. Connecting from process side 1/2" NPT(F) and Instrument side flange connection on suitable for DP Transmitter. Connecting system impulse lines and transmitters, having simple two valves configuration which allows for easy block or Isolate, Bleed or Vent valve calibration of a static pressure transmitter or gauge.
- Bleed/vent connection with s.s. plug will be provided on request.
- Approximate weight : 1.00 Kg (2.2 Lbs.).
- Heat code traceability

### - BONNET ASSEMBLY

- Screwed bonnet design.
- Bonnet-back seated blow out proof.
- Spindle - Ground and thread rolled.
- Spindle tip-Non rotating tip shut off type -stellite, Regulating-stellite and soft seated.
- Bonnet pusher - silver plated for anti galling freezing for increased stem cycle life.
- Dust cap protects stem threads from external contamination.
- Leak tight seal with low operating torque.

### - TECHNICAL SPECIFICATIONS

- Size : 1/4", 1/2"
- End connection : NPT, BSPT, Socket weld.
- Working Pressure : 6000 Psi (413 Bar)

- Temperature Rating : PTFE 450 Deg. F (232 Deg.C)  
Grafoil 700 Deg. F (371 Deg. C)
- Material of construction : SS 316, SS 304, Monel, C.S.
- Optional Sour Gas service valves are available confirming to NACE Std. MR - 01 - 75
- Stem packing : PTFE, Grafoil.
- Orifice : Dia. 4.7
- All valves are 100% Factory tested prior to shipment.

### - APPLICATION

- Refineries, liquid petroleum gas processing plant, petro-chemical plants, systems difficult to shut off due to solid contents dust, rust, dirt etc.

### - MANIFOLD SELECTION INFORMATION DATA

- Pressure & temperature ratings are selected from ANSI B 16.34 for standard class 2500

### - TESTING

- Pneumatic Seat test is performed at 1/4 of working pressure.
- Hydrostatic shell test is performed at 1.5 times the working pressure.
- Optional test are available upon request.

### - LUBRICATION

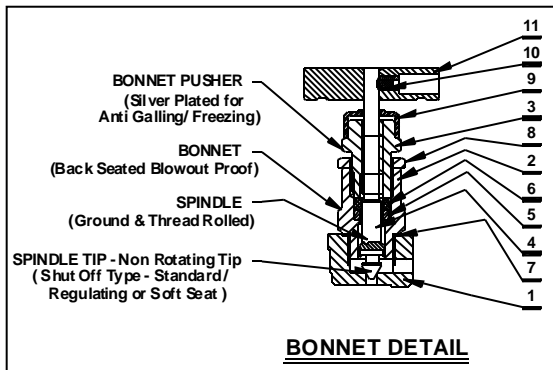
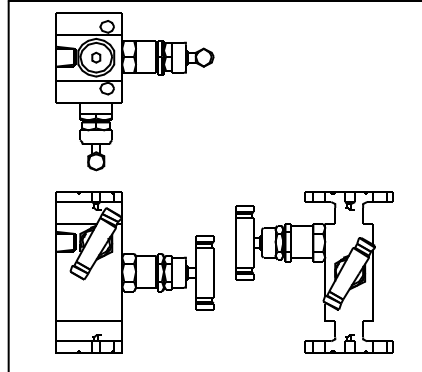
- Dye molly sulphide



## MANIFOLD VALVE

### 2 VALVE MANIFOLD -(Model-2VMH)

2 VALVE MANIFOLD - H - TYPE (FLANGE TO FLANGE CONN.)



S.NO.	DESCRIPTION	QTY.	MATERIAL
1	BODY	1	SS 316
2	BONNET	1	SS 316
3	BONNET PUSHER	1	SS 316
4	STEM	1	SS 316
5	WASHER	1	SS 316
6	PACKING	1	PTFE
7	BONNET SEAL	1	PTFE
8	CHECK NUT	1	SS 316
9	DUST CAP	1	LDPE
10	GRUB SCREW	1	CS
11	HANDLE	1	SS 304

## FEATURES

### - TWO VALVE MANIFOLD - 'H' TYPE

- 2 Way valve manifolds are designed for direct mounting. Connecting from process Flange connection on suitable for process. Instrument side flange connection on suitable for DP Transmitter. Connecting system impulse lines and transmitters, having simple two valves configuration which allows for easy Block or Isolate, Bleed or Vent valve calibration of a static pressure transmitter or gauge.
- Bleed/vent connection with s.s. plug will be provided on request.
- Approximate weight : 1.00 Kg (2.2 Lbs.).
- Heat code traceability

### - BONNET ASSEMBLY

- Screwed bonnet design.
- Bonnet-back seated blow out proof.
- Spindle - Ground and thread rolled.
- Spindle tip-Non rotating tip shut off type -stellite, Regulating-stellite and soft seated.
- Bonnet pusher - silver plated for anti galling freezing for increased stem cycle life.
- Dust cap protects stem threads from external contamination.
- Leak tight seal with low operating torque.

### - TECHNICAL SPECIFICATIONS

- Size : 1/4", 1/2"
- End connection : NPT,BSPT,Socket weld.

- Working Pressure : 6000 Psi (413 Bar)
- Temperature Rating : PTFE 450 Deg. F (232 Deg.C)  
Grafoil 700 Deg. F (371 Deg. C)
- Material of construction : SS 316, SS 304, Monel,C.S.
- Optional Sour Gas service valves are available confirming to NACE Std. MR - 01 - 75
- Stem packing : PTFE, Grafoil.
- Orifice : Dia. 4.7
- All valves are 100% Factory tested prior to shipment.

### - APPLICATION

- Refineries, liquid petroleum gas processing plant, petro-chemical plants, systems difficult to shut off due to solid contents dust, rust, dirt etc.

### - MANIFOLD SELECTION INFORMATION DATA

- Pressure & temperature ratings are selected from ANSI B 16.34 for standard class 2500

### - TESTING

- Pneumatic Seat test is performed at 1/4 of working pressure.
- Hydrostatic shell test is performed at 1.5 times the working pressure.
- Optional test are available upon request.

### - LUBRICATION

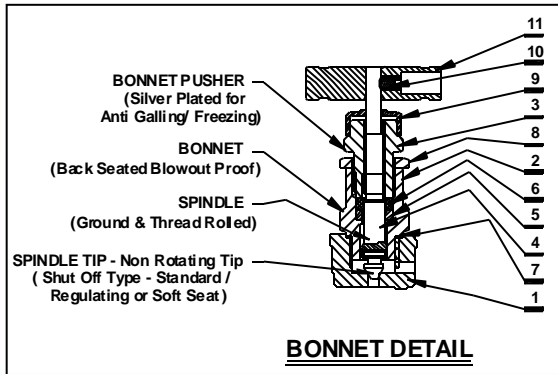
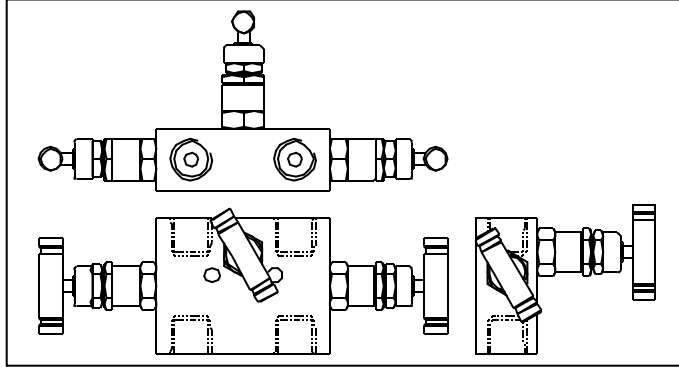
- Dye molly sulphide



## MANIFOLD VALVE

### 3 VALVE MANIFOLD -(Model-3VMS)

3 VALVE MANIFOLD - SEPERATE TYPE (PIPE TO PIPE CONN.)



S.NO.	DESCRIPTION	QTY.	MATERIAL
1	BODY	1	SS 316
2	BONNET	1	SS 316
3	BONNET PUSHER	1	SS 316
4	STEM	1	SS 316
5	WASHER	1	SS 316
6	PACKING	1	PTFE
7	BONNET SEAL	1	PTFE
8	CHECKNUT	1	SS 316
9	DUST CAP	1	LDPE
10	GRUB SCREW	1	CS
11	HANDLE	1	SS 304

## FEATURES

### - 3 VALVE MANIFOLD - SEPARATE TYPE

- 3 Way valve manifolds are designed for remote or separate mounting. Connecting from process side 1/2" NPT(F) and Instrument side 1/2" NPT(F) Connecting system impulse lines and transmitters, having simple three valves configuration which allows for easy two block or Isolate, one Equaliser valve calibration of a static pressure transmitter or gauge.
- Bleed/vent connection with s.s. plug will be provided on request.
- Approximate weight : 1.95 Kg (4.2 Lbs.).
- Heat code traceability

### - BONNET ASSEMBLY

- Screwed bonnet design.
- Bonnet-back seated blow out proof.
- Spindle - Ground and thread rolled.
- Spindle tip-Non rotating tip shut off type -stellite, Regulating-stellite and soft seated.
- Bonnet pusher - silver plated for anti galling freezing for increased stem cycle life.
- Dust cap protects stem threads from external contamination.
- Leak tight seal with low operating torque.

### - TECHNICAL SPECIFICATIONS

- Size : 1/4", 1/2"
- End connection : NPT, BSPT, Socket weld.
- Working Pressure : 6000 Psi (413 Bar)

- Temperature Rating : PTFE 450 Deg. F (232 Deg. C)  
Grafoil 700 Deg. F (371 Deg. C)
- Material of construction : SS 316, SS 304, Monel, C.S.
- Optional Sour Gas service valves are available confirming to NACE Std. MR - 01 - 75
- Stem packing : PTFE, Grafoil.
- Orifice : Dia. 4.7
- All valves are 100% Factory tested prior to shipment.

### - APPLICATION

- Refineries, liquid petroleum gas processing plant, petro-chemical plants, systems difficult to shut off due to solid contents dust, rust, dirt etc.

### - MANIFOLD SELECTION INFORMATION DATA

- Pressure & temperature ratings are selected from ANSI B 16.34 for standard class 2500

### - TESTING

- Pneumatic Seat test is performed at 1/4 of working pressure.
- Hydrostatic shell test is performed at 1.5 times the working pressure.
- Optional test are available upon request.

### - LUBRICATION

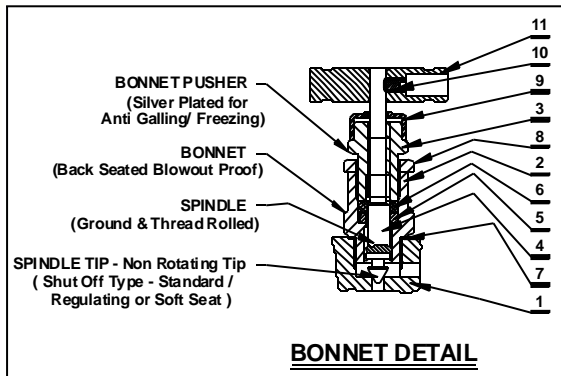
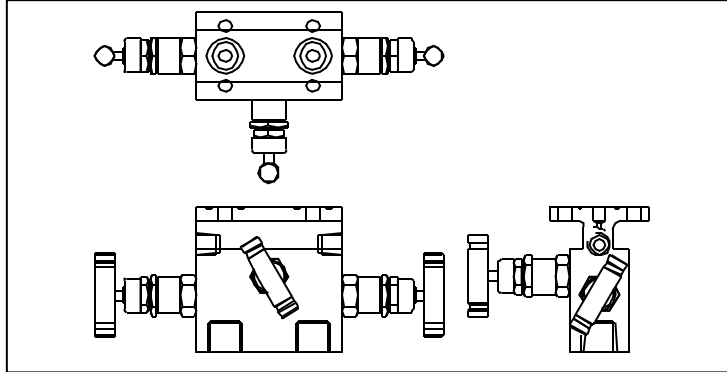
- Dye molly sulphide



## MANIFOLD VALVE

3 VALVE MANIFOLD -(Model-3VMT)

3 VALVE MANIFOLD - TEE TYPE (PIPE TO FLANGE CONN.)



S.NO.	DESCRIPTION	QTY.	MATERIAL
1	BODY	1	SS 316
2	BONNET	1	SS 316
3	BONNET PUSHER	1	SS 316
4	STEM	1	SS 316
5	WASHER	1	SS 316
6	PACKING	1	PTFE
7	BONNET SEAL	1	PTFE
8	CHECKNUT	1	SS 316
9	DUST CAP	1	LDPE
10	GRUB SCREW	1	CS
11	HANDLE	1	SS 304

### FEATURES

#### - 3 VALVE MANIFOLD - TEE TYPE

- 3 Way valve manifolds are designed for direct mounting. Connecting from process side 1/2" NPT(F) and Instrument side flange connection on suitable for DP Transmitter. Connecting system impulse lines and transmitters, having simple three valves configuration which allows for easy two block or Isolate, one Equaliser valve calibration of a static pressure transmitter or gauge.
- Bleed/vent connection with s.s. plug will be provided on request.
- Approximate weight : 1.00 Kg (2.2 Lbs.).
- Heat code traceability

#### - BONNET ASSEMBLY

- Screwed bonnet design.
- Bonnet-back seated blow out proof.
- Spindle - Ground and thread rolled.
- Spindle tip-Non rotating tip shut off type -stellite, Regulating-stellite and soft seated.
- Bonnet pusher - silver plated for anti galling freezing for increased stem cycle life.
- Dust cap protects stem threads from externals contamination.
- Leak tight seal with low operating torque.

#### - TECHNICAL SPECIFICATIONS

- Size : 1/4", 1/2"
- End connection : NPT,BSPT,Socket weld.

- Working Pressure : 6000 Psi (413 Bar)
- Temperature Rating : PTFE 450 Deg. F (232 Deg.C)  
Grafoil 700 Deg. F (371 Deg. C)
- Material of construction : SS 316, SS 304, Monel,C.S.
- Optional Sour Gas service valves are available confirming to NACE Std. MR - 01 - 75
- Stem packing : PTFE, Grafoil.
- Orifice : Dia. 4.7
- All valves are 100% Factory tested prior to shipment.

#### - APPLICATION

- Refineries, liquid petroleum gas processing plant, petro-chemical plants, systems difficult to shur off due to solid contents dust, rust, dirt etc.

#### - MANIFOLD SELECTION INFORMATION DATA

- Pressure & temperature ratings are selected from ANSI B 16.34 for standard class 2500

#### - TESTING

- Pneumatic Seat test is performed at 1/4 of working pressure.
- Hydrostatic shell test is performed at 1.5 times the working pressure.
- Optional test are available upon request.

#### - LUBRICATION

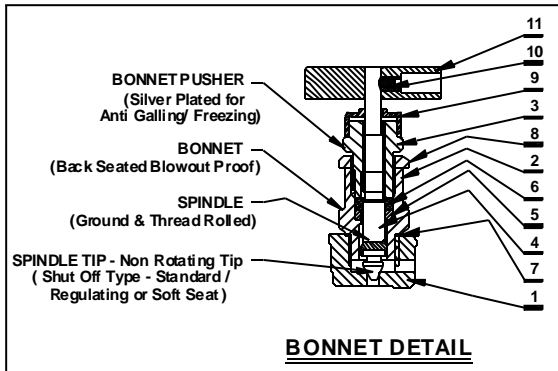
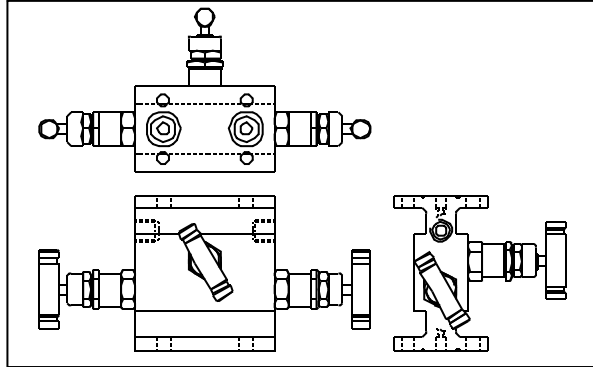
- Dye molly sulphide



## MANIFOLD VALVE

### 3 VALVE MANIFOLD -(Model-3VMH)

3 VALVE MANIFOLD - H - TYPE (FLANGE TO FLANGE CONN.)



S.NO.	DESCRIPTION	QTY.	MATERIAL
1	BODY	1	SS 316
2	BONNET	1	SS 316
3	BONNET PUSHER	1	SS 316
4	STEM	1	SS 316
5	WASHER	1	SS 316
6	PACKING	1	PTFE
7	BONNET SEAL	1	PTFE
8	CHECKNUT	1	SS 316
9	DUST CAP	1	LDPE
10	GRUB SCREW	1	CS
11	HANDLE	1	SS 304

## FEATURES

### - 3 VALVE MANIFOLD - `H' TYPE

- 3 Way valve manifolds are designed for direct mounting. Connecting from process Flange connection on suitable for process. Instrument side flange connection on suitable for DP Transmitter. Connecting system impulse lines and transmitters, having simple three valves configuration which allows for easy two Block or Isolate, one Equaliser valve calibration of a static pressure transmitter or gauge.
- Bleed/vent connection with s.s. plug will be provided on request.
- Approximate weight : 1.80 Kg (3.98 Lbs.).
- Heat code traceability

### - BONNET ASSEMBLY

- Screwed bonnet design.
- Bonnet-back seated blow out proof.
- Spindle - Ground and thread rolled.
- Spindle tip-Non rotating tip shut off type -stellite, Regulating-stellite and soft seated.
- Bonnet pusher - silver plated for anti galling freezing for increased stem cycle life.
- Dust cap protects stem threads from external contamination.
- Leak tight seal with low operating torque.

### - TECHNICAL SPECIFICATIONS

- Size : 1/4", 1/2"
- End connection : NPT,BSPT,Socket weld.

- Working Pressure : 6000 Psi (413 Bar)
- Temperature Rating : PTFE 450 Deg. F (232 Deg.C)  
Grafoil 700 Deg. F (371 Deg. C)
- Material of construction : SS 316, SS 304, Monel,C.S.
- Optional Sour Gas service valves are available conforming to NACE Std. MR - 01 - 75
- Stem packing : PTFE, Grafoil.
- Orifice : Dia. 4.7
- All valves are 100% Factory tested prior to shipment.

### - APPLICATION

- Refineries, liquid petroleum gas processing plant, petro-chemical plants, systems difficult to shut off due to solid contents dust, rust, dirt etc.

### - MANIFOLD SELECTION INFORMATION DATA

- Pressure & temperature ratings are selected from ANSI B 16.34 for standard class 2500

### - TESTING

- Pneumatic Seat test is performed at 1/4 of working pressure.
- Hydrostatic shell test is performed at 1.5 times the working pressure.
- Optional test are available upon request.

### - LUBRICATION

- Dye molly sulphide

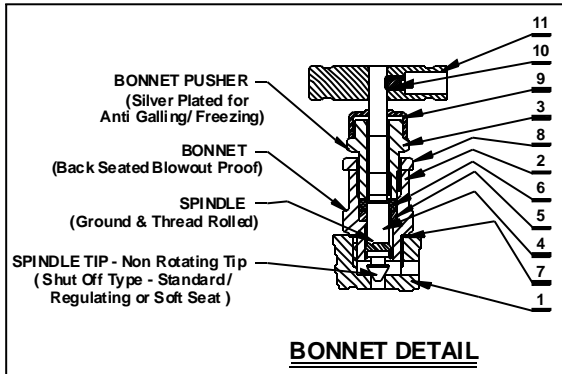
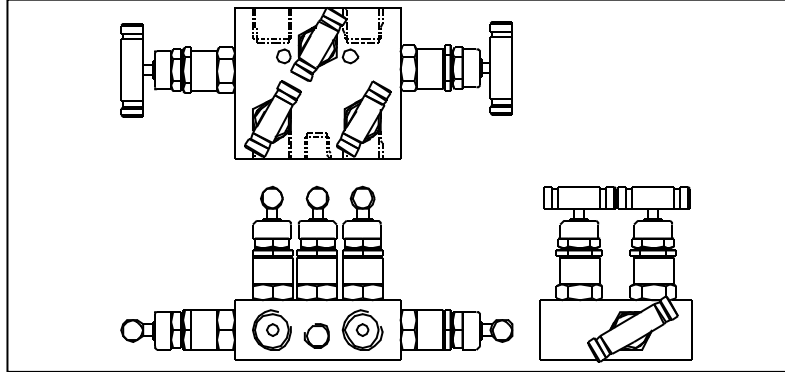




## MANIFOLD VALVE

### 5 VALVE MANIFOLD -(Model-5VMS)

5 VALVE MANIFOLD - SEPERATE TYPE (PIPE TO PIPE CONN.)



S.NO.	DESCRIPTION	QTY.	MATERIAL
1	BODY	1	SS 316
2	BONNET	1	SS 316
3	BONNET PUSHER	1	SS 316
4	STEM	1	SS 316
5	WASHER	1	SS 316
6	PACKING	1	PTFE
7	BONNET SEAL	1	PTFE
8	CHECK NUT	1	SS 316
9	DUST CAP	1	LDPE
10	GRUB SCREW	1	CS
11	HANDLE	1	SS 304

## FEATURES

### - 5 VALVE MANIFOL - SEPARATE TYPE

- 5 Way valve manifolds are designed for remote or separate mounting. Connecting from process side 1/2" NPT(F) and Instrument side 1/2" NPT(F) Connecting system impulse lines and transmitters, having simple five valves configuration which allows for easy two block or Isolate, two Equaliser, one Bleed or Vent valve calibration of a static pressure transmitter or gauge.
- Bleed/vent connection with s.s. plug will be provided on request.
- Approximate weight : 0.95 Kg (2.1 Lbs.).
- Heat code traceability

### - BONNET ASSEMBLY

- Screwed bonnet design.
- Bonnet-back seated blow out proof.
- Spindle - Ground and thread rolled.
- Spindle tip-Non rotating tip shut off type -stellite, Regulating-stellite and soft seated.
- Bonnet pusher - silver plated for anti galling freezing for increased stem cycle life.
- Dust cap protects stem threads from externals contamination.
- Leak tight seal with low operating torque.

### - TECHNICAL SPECIFICATIONS

- Size : 1/4", 1/2"
- End connection : NPT,BSPT,Socket weld.
- Working Pressure : 6000 Psi (413 Bar)

- Temperature Rating : PTFE 450 Deg. F (232 Deg.C)  
Grafoil 700 Deg. F (371 Deg. C)
- Material of construction : SS 316, SS 304, Monel, C.S.
- Optional Sour Gas service valves are available confirming to NACE Std. MR - 01 - 75
- Stem packing : PTFE, Grafoil.
- Orifice : Dia. 4.7
- All valves are 100% Factory tested prior to shipment.

### - APPLICATION

- Refineries, liquid petroleum gas processing plant, petro-chemical plants, systems difficult to shur off due to solid contents dust, rust, dirt etc.

### - MANIFOLD SELECTION INFORMATION DATA

- Pressure & temperature ratings are selected from ANSI B 16.34 for standard class 2500

### - TESTING

- Pneumatic Seat test is performed at 1/4 of working pressure.
- Hydrostatic shell test is performed at 1.5 times the working pressure.
- Optional test are available upon request.

### - LUBRICATION

- Dye molly sulphide

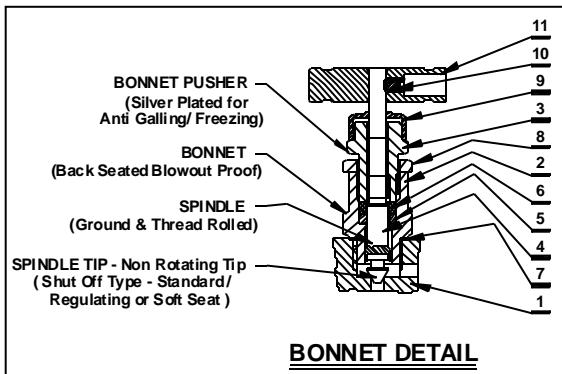
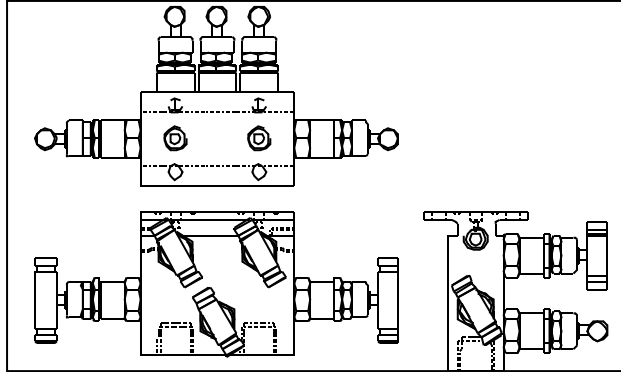




## MANIFOLD VALVE

### 5 VALVE MANIFOLD -(Model-5VMT)

#### 5 VALVE MANIFOLD - TEE TYPE (PIPE TO FLANGE CONN.)



S.NO.	DESCRIPTION	QTY.	MATERIAL
1	BODY	1	SS 316
2	BONNET	1	SS 316
3	BONNET PUSHER	1	SS 316
4	STEM	1	SS 316
5	WASHER	1	SS 316
6	PACKING	1	PTFE
7	BONNET SEAL	1	PTFE
8	CHECK NUT	1	SS 316
9	DUST CAP	1	LDPE
10	GRUB SCREW	1	CS
11	HANDLE	1	SS 304

## FEATURES

### - 5 VALVE MANIFOLD - TEE TYPE

- 5 Way valve manifolds are designed for direct mounting. Connecting from process side 1/2" NPT(F) and Instrument side flange connection on suitable for DP Transmitter. Connecting system impulse lines and transmitters, having simple five valves configuration which allows for easy two block or Isolate, two Equaliser, one Bleed or Vent valve calibration of a static pressure transmitter or gauge.
- Bleed/vent connection with s.s. plug will be provided on request.
- Approximate weight : 2.45 Kg (5.4 Lbs.).
- Heat code traceability

### - BONNET ASSEMBLY

- Screwed bonnet design.
- Bonnet-back seated blow out proof.
- Spindle - Ground and thread rolled.
- Spindle tip-Non rotating tip shut off type -stellite, Regulating-stellite and soft seated.
- Bonnet pusher - silver plated for anti galling freezing for increased stem cycle life.
- Dust cap protects stem threads from external contamination.
- Leak tight seal with low operating torque.

### - TECHNICAL SPECIFICATIONS

- Size : 1/4", 1/2"
- End connection : NPT, BSPT, Socket weld.

- Working Pressure : 6000 Psi (413 Bar)
- Temperature Rating : PTFE 450 Deg. F (232 Deg.C)  
Grafoil 700 Deg. F (371 Deg. C)
- Material of construction : SS 316, SS 304, Monel,C.S.
- Optional Sour Gas service valves are available conforming to NACE Std. MR - 01 - 75
- Stem packing : PTFE, Grafoil.
- Orifice : Dia. 4.7
- All valves are 100% Factory tested prior to shipment.

### - APPLICATION

- Refineries, liquid petroleum gas processing plant, petro-chemical plants, systems difficult to shut off due to solid contents dust, rust, dirt etc.

### - MANIFOLD SELECTION INFORMATION DATA

- Pressure & temperature ratings are selected from ANSI B 16.34 for standard class 2500

### - TESTING

- Pneumatic Seat test is performed at 1/4 of working pressure.
- Hydrostatic shell test is performed at 1.5 times the working pressure.
- Optional test are available upon request.

### - LUBRICATION

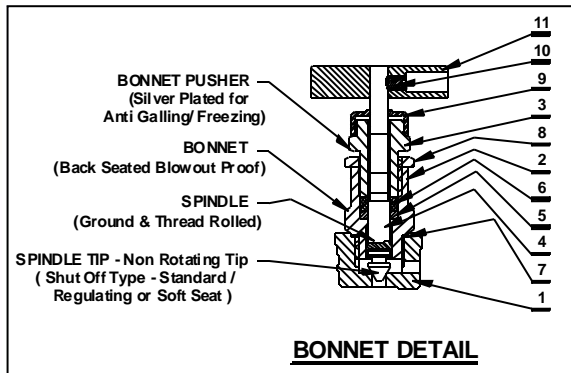
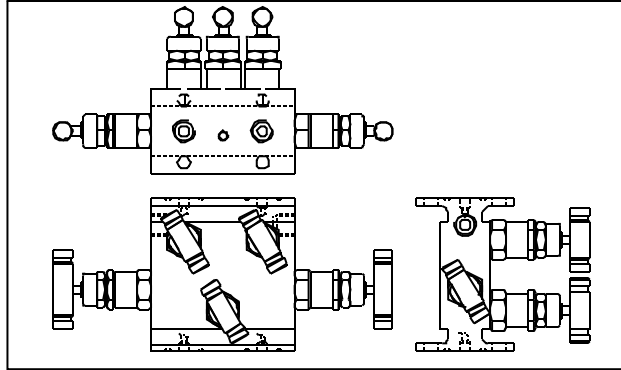
- Dye molly sulphide



## MANIFOLD VALVE

### 5 VALVE MANIFOLD -(Model-5VMH)

5 VALVE MANIFOLD - H - TYPE (FLANGE TO FLANGE CONN.)



S.NO.	DESCRIPTION	QTY.	MATERIAL
1	BODY	1	SS 316
2	BONNET	1	SS 316
3	BONNET PUSHER	1	SS 316
4	STEM	1	SS 316
5	WASHER	1	SS 316
6	PACKING	1	PTFE
7	BONNET SEAL	1	PTFE
8	CHECK NUT	1	SS 316
9	DUST CAP	1	LDPE
10	GRUB SCREW	1	CS
11	HANDLE	1	SS 304

## FEATURES

### - 5 VALVE MANIFOLD - 'H' TYPE

- 5 Way valve manifolds are designed for direct mounting. Connecting from process Flange connection on suitable for process. Instrument side flange connection on suitable for DP Transmitter. Connecting system impulse lines and transmitters, having simple five valves configuration which allows for easy two Block or Isolate, two Equaliser, one Bleed or Vent valve calibration of a static pressure transmitter or gauge.
- Bleed/vent connection with s.s. plug will be provided on request.
- Approximate weight : 2.45 Kg (5.4 Lbs.).
- Heat code traceability

### - BONNET ASSEMBLY

- Screwed bonnet design.
- Bonnet-back seated blow out proof.
- Spindle - Ground and thread rolled.
- Spindle tip-Non rotating tip shut off type -stellite, Regulating-stellite and soft seated.
- Bonnet pusher - silver plated for anti galling freezing for increased stem cycle life.
- Dust cap protects stem threads from external contamination.
- Leak tight seal with low operating torque.

### - TECHNICAL SPECIFICATIONS

- Size : 1/4", 1/2"
- End connection : NPT, BSPT, Socket weld.

- Working Pressure : 6000 Psi (413 Bar)
- Temperature Rating : PTFE 450 Deg. F (232 Deg.C)  
Grafoil 700 Deg. F (371 Deg. C)
- Material of construction : SS 316, SS 304, Monel, C.S.
- Optional Sour Gas service valves are available confirming to NACE Std. MR - 01 - 75
- Stem packing : PTFE, Grafoil.
- Orifice : Dia. 4.7
- All valves are 100% Factory tested prior to shipment.

### - APPLICATION

- Refineries, liquid petroleum gas processing plant, petro-chemical plants, systems difficult to shut off due to solid contents dust, rust, dirt etc.

### - MANIFOLD SELECTION INFORMATION DATA

- Pressure & temperature ratings are selected from ANSI B 16.34 for standard class 2500

### - TESTING

- Pneumatic Seat test is performed at 1/4 of working pressure.
- Hydrostatic shell test is performed at 1.5 times the working pressure.
- Optional test are available upon request.

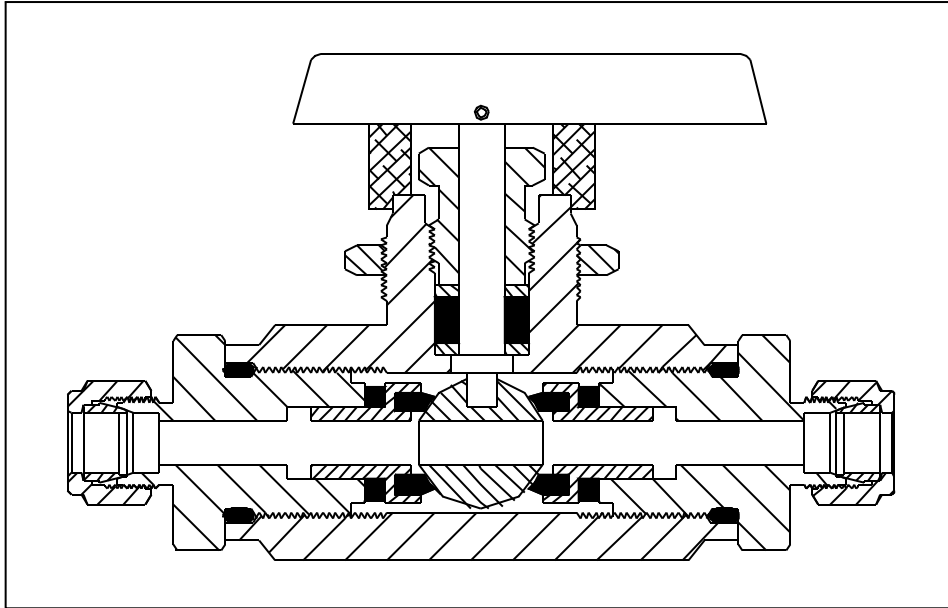
### - LUBRICATION

- Dye molly sulphide



## BALL VALVE

### HIGH PRESSURE BALL VALVE-(Model-HPBV)



### **FEATURES**

#### **- BALL VALVE**

- Free floating Ball design provides seat wear compensation.
- 2 way, 3 way, 4 way, 5 way
- 3 Piece body construction
- Adjustable stem seal can be maintained in-line.
- Full operating pressure at any port.
- Low operating torque
- Manual & Actuator operated.
- Handle indicates direction of flow.
- Heat code traceability

#### **- TECHNICAL SPECIFICATIONS**

- Size : 1/4" to 1/2"
- End Connection : NPT, BSPT, Socket weld, Butt weld, Tube fitting.
- Pattern : Straight
- Working pressure : 10,000 Psi (700 Bar)
- Temperature Rating : GFT 450 Deg F (232 Deg C)  
PEEK 700 Deg F (371 Deg C)
- Material of construction : SS 316, SS 304, Hast Alloy  
Monel

- Optional Sour Gas service valves are available confirming to NACE Std. MR - 01 - 75
- Stem packing : GFT, PEEK
- Orifice : Dia 4.7
- Panel mounting arrangement.
- All valves are 100% Factory tested prior to shipment.

#### **- APPLICATION**

- Refineries, liquid petroleum gas processing plant, petro-chemical plants, systems difficult to shut off due to solid contents dust, rust, dirt etc.

#### **- TESTING**

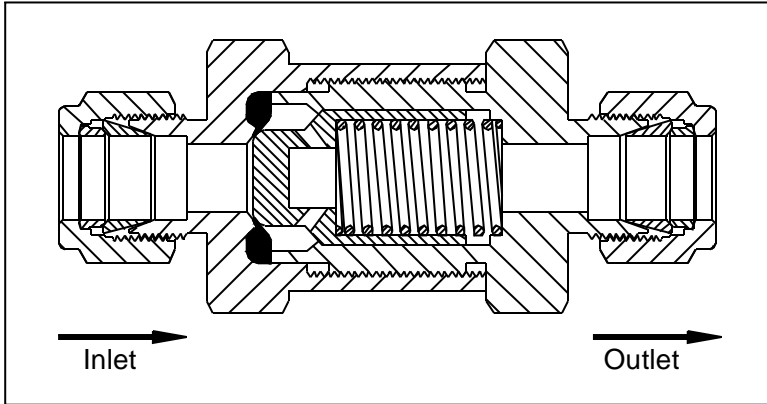
- Pneumatic Seat test is performed at 1/4 of working pressure.
- Hydrostatic shell test is performed at 1.5 times the working pressure.
- Optional test are available upon request.

#### **- LUBRICATION**

- Dye molly sulphide



## CHECK VALVE-(Model-CV)



### **FEATURES**

Check valves are designed for uni-directional flow control of fluids and gases in industries.

#### **- CHECK VALVE**

- Resilient, blow out resistant and leak tight shut-off seat design.
- Back stopped Poppet prevents the spring from being overstressed.
- 100%factory tested for both crack and reseal.
- Cracking pressure include 1/3,1,5,10,25,50,75 and 100 Psig.
- Back pressure may be required to reseal the valve with nominal cracking pressure of 5 Psig or lower.
- Heat code traceability

#### **- LABEL COLOR REFERENCE**

- Blue - PTFE
- Green - Neoprene
- Black - Ethylene propylene Rubber
- Brown - Buna-N

#### **- TECHNICAL SPECIFICATIONS**

- Size : 1/8" to 3/8", 1/2" to 1"
- End Connection : (Male,Female) NPT, BSPT, SAE, OD Tube.
- Working pressure : SS 316 - 6000 Psi (413Bar)  
Brass - 3000 Psi (207 Bar)

#### **- Temperature Rating :**

- PTFE 450 Deg F (232 Deg C)
- Neoprene - 250Deg F (212Deg C)
- Buna-N - 275 Deg F (135 Deg C)
- Ethylene propylene rubber - 275 Deg F (135 Deg C)
- Orifice : 2.0mm Dia. to 16.7mm Dia.
- Material of construction : SS 316, Brass
- Optional Sour Gas service valves are available confirming to NACE Std. MR - 01 - 75

#### **- APPLICATION**

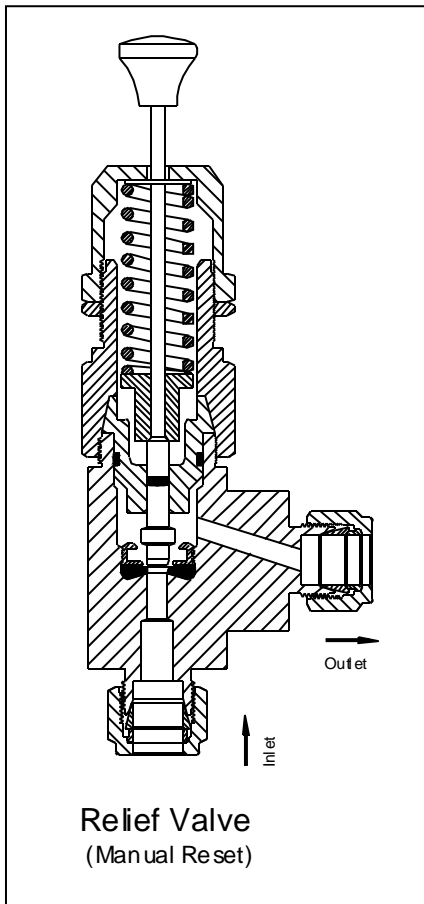
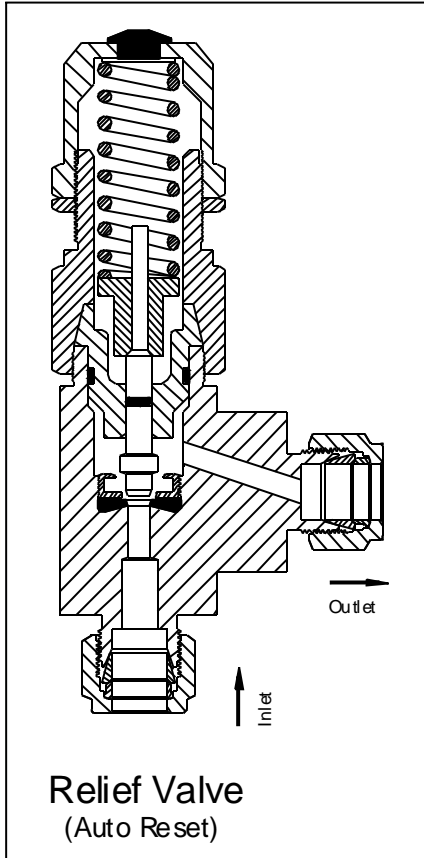
- Refineries, liquid petroleum gas processing plant, petro-chemical plants, systems difficult to shur off due to solid contents dust, rust, dirt etc.

#### **- LUBRICATION**

- Dye molly sulphide lubricant is used for outer body made of SS 316,Brass
- Silicon based lubricant is used for poppet.



## RELIEF VALVE-(Model-RV)



### RELIEF VALVE

Relief valves are designed such that when the upstream pressure exceeds the closing force exerted by the spring, the lower stem opens permitting flow through the valve. Flow through the valve increases. Proportionately to the increase in up stream pressure.

#### - FEATURES

- Pressure settings are externally adjustable while the valve is in operation.
- Seat design is blow out proof.
- Manual override option with positive stem retraction is available for pressure upto 1500 Psig (103Bar). This option permits the user to relieve upstream pressure while maintaining the predetermined cracking pressure.
- Standard low friction synergistic coating of body bonnet improves crack and reseal performance.
- Color coded springs and labels indicate spring cracking range.
- Back pressure has minimum effect on cracking pressure.
- Lock wire feature secures a given pressure setting.
- Heat code traceability

#### - TECHNICAL SPECIFICATIONS

- Size : 1/4", 3/8", 1/2"
- End Connection : Male, Female - NPT, BSPT, ODT Tube
- Pattern : Angle
- Working pressure : 6000 Psi (414 Bar)
- Temperature Rating :
  - Buna-N - 225 Deg. F (107 Deg. C)
  - Ethylene propylene rubber - 275 Deg. F (135 Deg. C)
  - Neoprene - 250 Deg. F (121 Deg. C)
  - Fluorocarbon rubber - 400 Deg. F (204 deg. C)
- Cracking pressure : Eight springs from 50 Psig to 6000 Psig in the following range.

50 - 350 Psig	2250 - 3000 Psig
350 - 750 Psig	3000 - 4000 Psig
750 - 1500 Psig	4000 - 5000 Psig
1500 - 2250 Psig	5000 - 6000 Psig

- Color code :

50 - 350 Psig__Orange	2250 - 3000 Psig__Red
350 - 750 Psig__Red	3000 - 4000 Psig__Blue
750 - 1500 Psig__Violet	4000 - 5000 Psig__Yellow
1500 - 2250 Psig__Gray	5000 - 6000 Psig__Green

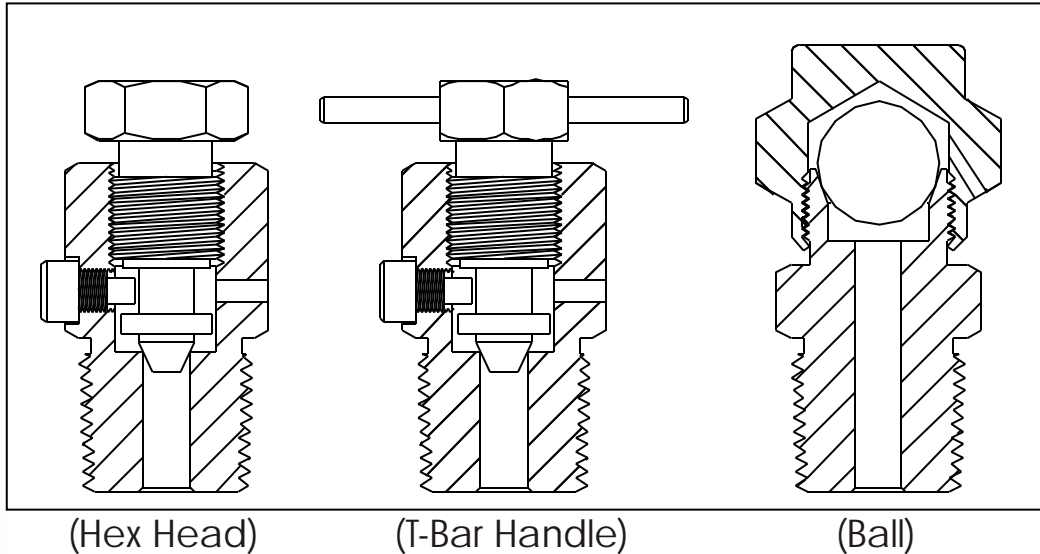
- Material of construction : SS 316
- Optional Sour Gas service valves are available confirming to NACE Std. MR - 01 - 75
- Orifice : Dia 3.6
- All valves are 100% Factory tested prior to shipment.

#### - APPLICATION

- Refineries, liquid petroleum gas processing plant, petro-chemical plants, systems difficult to shut off due to solid contents dust, rust, dirt etc.



## BLEED VALVE-(Model-BLV)



### - BLEED VALVE

Bleed Valves are manual Bleed, Vent or Drain valves. They can be used to vent signal line. Pressure to atmosphere before removal of an instrument or to assist in calibration of control devices.

### FEATURES

#### - with hex head

- Compact for convenient installation.
- Vent tube directs excess liquid or gas from system lines.
- Male NPT & SAE end connections allow installation into variety of systems.
- Chrome plated stem threads and stem tip extend valve cycle life
- Heat code traceability

#### - with handle

- Compact for convenient installation.
- Vent tube directs excess liquid or gas from system lines.
- Male NPT & SAE end connections allow installation into variety of systems.
- Chrome plated stem threads and stem tip extend valve cycle life

#### - with ball

- Compact for convenient installation.
- Male NPT & SAE end connections allow installation into variety of systems.
- Vent hole bleeds excess liquid or gas from system lines.
- Cap is crimped to valve body preventing accidental disassembly.

### - TECHNICAL SPECIFICATIONS

- Size : 1/8" to 1/2"
- End connection : Male NPT, BSPT, SAE
- Working pressure : 10000 Psi (689Bar)
- Temperature Rating : 850 Deg F (454 Deg C)
- Material of construction : SS 316, SS 304, CS
- Optional Sour Gas service valves are available conforming to NACE Std. MR - 01 - 75
- Orifice : Dia 3.2mm
- All valves are 100% Factory tested prior to shipment.

### - APPLICATION

- Refineries, liquid petroleum gas processing plant, petro-chemical plants, systems difficult to shut off due to solid contents dust, rust, dirt etc.

### - TESTING

- Pneumatic Seat test is performed at 1/4 of working pressure.
- Hydrostatic shell test is performed at 1.5 times the working pressure.